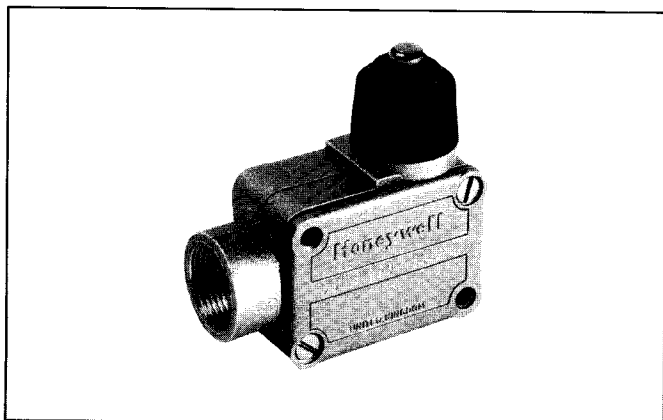


Series VB

Low-cost Enclosed Switches



Features

- Rugged construction
- Splash proof – IP65
- Basic switch easily replaced
- SPDT or DPDT circuitry available
- Wide operating temperature range : – 10 to +70°C
- Switch mounting and wire connection are easily made
- Conduit thread choice
- Special listings available, upon request, with operating temperature range of – 30 to +70°C

Description

The series VB switches are rugged, yet inexpensive devices. These limit switches have been designed for industrial applications. They are splash proof against oil and water but are not intended for submerged operation. Mounting and connection are easy. This series incorporates either 1 or 2 Honeywell V3 precision switches in a die cast housing. The basic switches are easily replaceable.

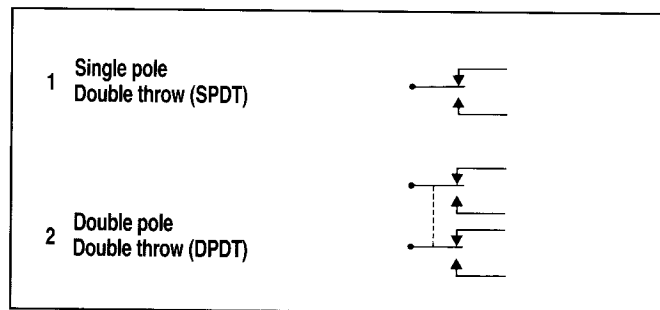
Construction

The series VB switches are housed in a ruggedly constructed aluminium die cast body with single entry conduit thread.

A choice of conduit threads is available. “-PG” specifies 13,5 mm thread. “-C” specifies 20 mm thread. Boot seals are provided to protect against oil and water to IP65. The basic switches are in SPDT or DPDT circuitry, and are easily replaceable.

Connection to the Honeywell V3 precision switches is by 440UNC × 3,2 mm screws which are included.

Circuitry



Technical Data

Mechanical

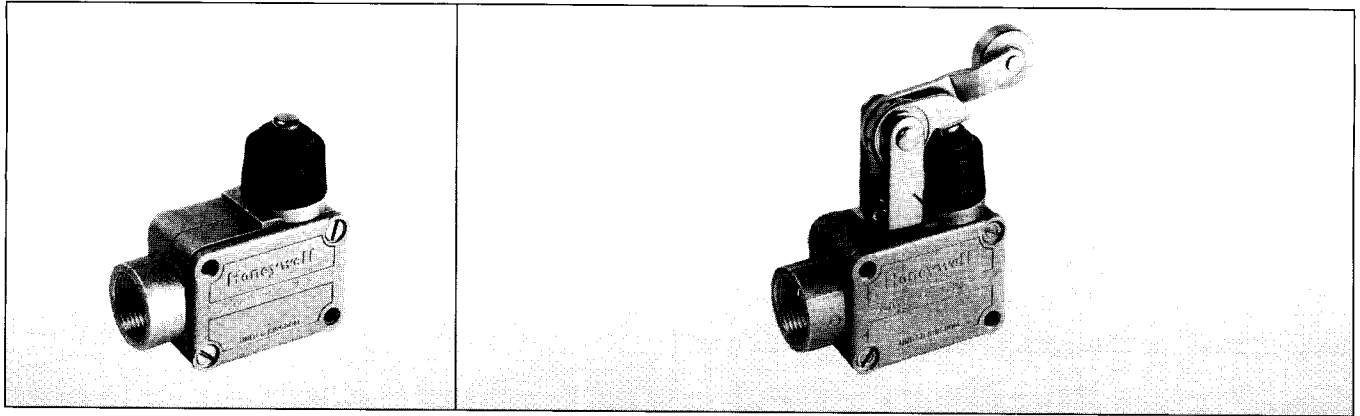
Temperature range	– 10 to +70°C
Protection class	IP65
Conduit thread	20 mm or PG 13,5
Mechanical life	10 × 10 ⁶ operations

Electrical A

Ratings	10 A at 125 or 250 Vac
	0,5 A at 125 Vdc
	0,25 A at 250 Vdc
	1/3 HP at 125 Vac

Replacement Parts

	Basic Switch
901VB1-C	V39101M
901VB1-PG	V39101M
903VB1-C	V39101M
903VB1-PG	V39101M
902VB1-C	V39101M (2 OFF)
902VB1-PG	V39101M (2 OFF)
904VB1-C	V39101M (2 OFF)
904VB1-PG	V39101M (2 OFF)



901VB1-C	902VB1-C		903VB1-C	904VB1-C	
901VB1-PG	902VB1-PG		903VB1-PG	904VB1-PG	

SPDT circuitry.	DPDT circuitry.		SPDT circuitry.	DPDT circuitry.	
Pin plunger actuator.	Pin plunger actuator.		Roller arm actuator.	Roller arm actuator.	
Elastomer boot seal.	Elastomer boot seal.		Elastomer boot seal.	Elastomer boot seal.	

1	2		1	2	
---	---	--	---	---	--

A	A		A	A	
---	---	--	---	---	--

1,8 kg max.	1,8 kg max.		0,9 kg max.	0,9 kg max.	
110 g min.	110 g min.		50 g min.	50 g min.	
2,4 mm max.	2,4 mm max.		7 mm max.	7 mm max.	
0,6 mm max.	0,6 mm max.		1,3 mm max.	1,3 mm max.	
6,3 mm min.	6,3 mm min.		10 mm min.	10 mm min.	

