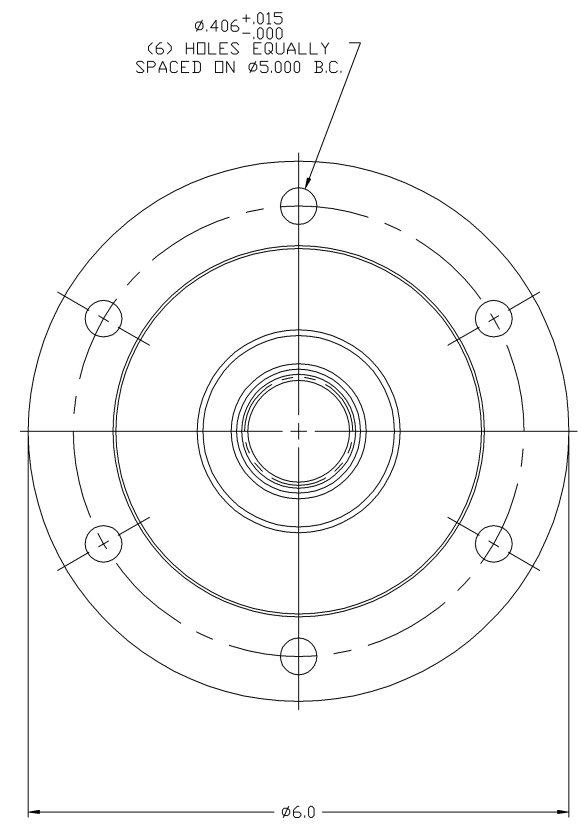
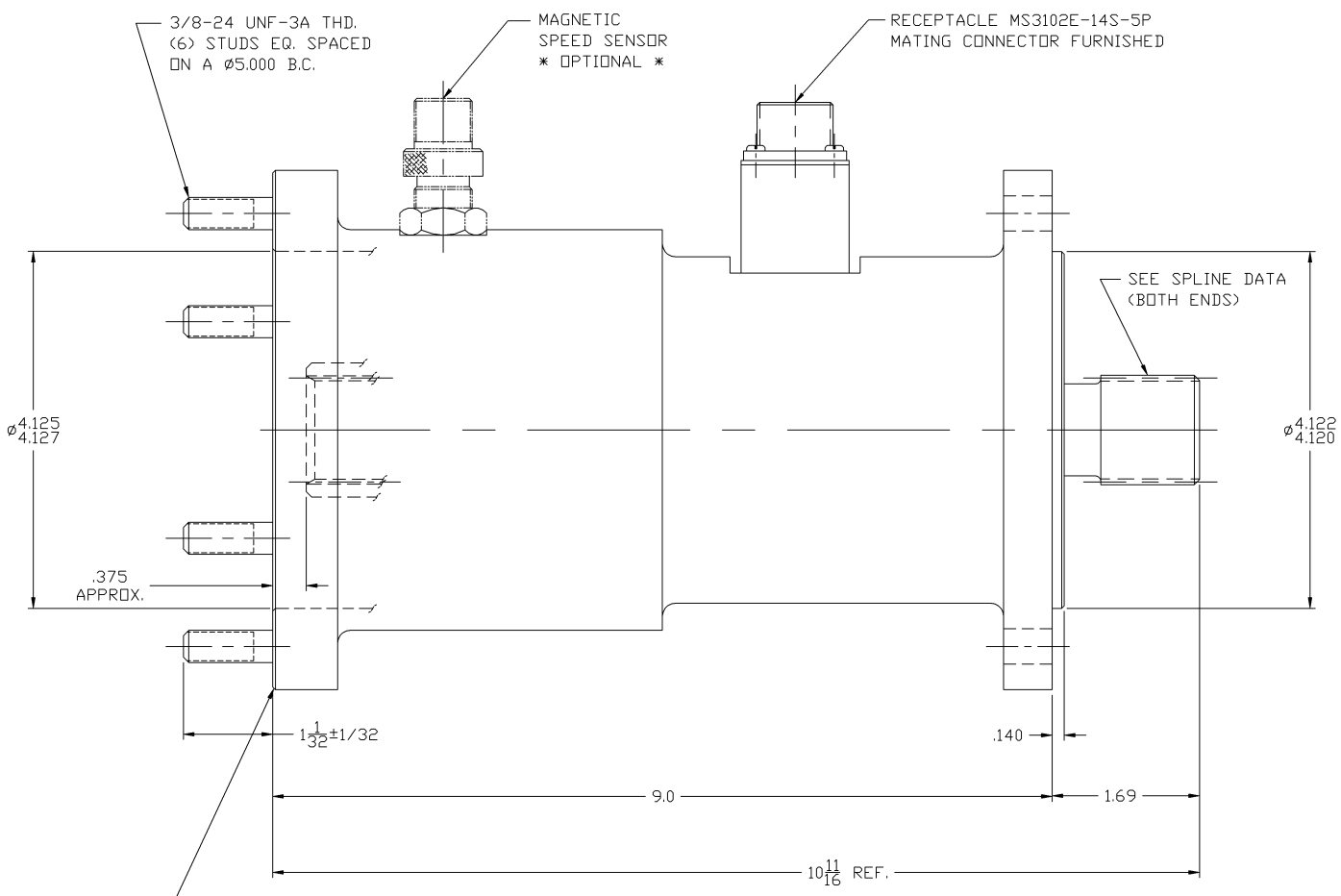


"NOTICE TO PERSONS RECEIVING THIS DRAWING AND/OR TECHNICAL INFORMATION"
 Lebow Products claims proprietary rights to the material disclosed herein. This drawing and/or technical information is issued in confidence for engineering information only and may not be reproduced or used to manufacture anything shown or referred to herein without direct written permission from Lebow Products to the user. This drawing and/or technical information is the property of Lebow Products and is loaned for mutual assistance, to be returned when its purpose has been served.



MOUNTING FLANGE & DRIVE
 REF. - AIR FORCE-NAVY ARED DESIGN
 SRD. DWG. NO. AND-20002 (FEMALE END) &
 STD. DWG. NO. AND-10262 (MALE END)

SPLINE DATA FOR 1615K
 PRESSURE ANGLE - 30°
 PITCH DIA. - 1.200
 PITCH - 20/30
 TEETH - 24

REV. NO.	PART NO.	DESCRIPTION	REV.
		Lebow Products Lebow Products Troy, Michigan	
UNLESS OTHERWISE SPECIFIED LINEAR DIMENSIONS ARE IN INCHES REMOVE ALL BURRS & ANGULAR DIMENSIONS ARE IN DEGREES SHARP EDGES DIMENSION LIMITS HELD AFTER PLATING SURFACE FINISH 125 ✓			
TOLERANCES			DR BY: ENGR.
DRILLED HOLES +0.00 +0.07	TWO PLACE DECIMALS ± .005	THREE PLACE DECIMALS ± .002	T.A. SJR
SCALE: NONE	REF. DWG. C-20229	FRACTIONAL DIMENSIONS ± 1/64	DATE: 12/12/72
TITLE: O.D. DRAWING			DATE: -
DRAWING NO. C-1615-D			REV. -

REV. NO.	PART NO.	DESCRIPTION	REV.
1			

REVISIONS

DATE	DATE
APPV'D.	DATE
CHG'D.	DATE
ECN NO.	DATE
SYM.	DATE