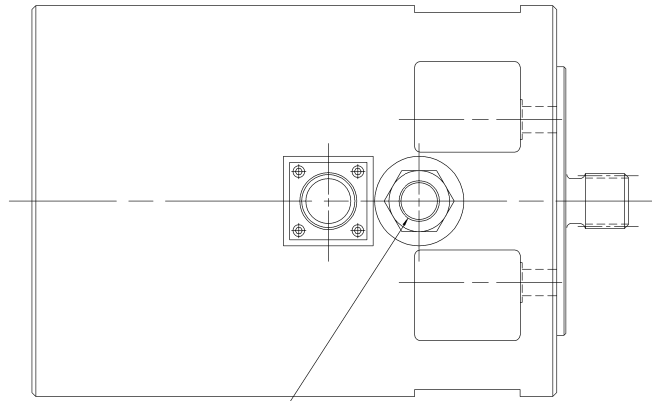


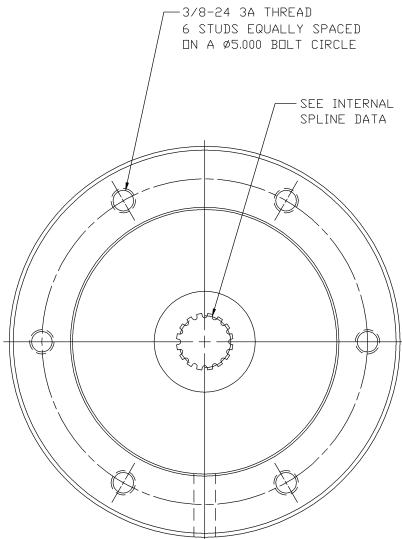
"NOTICE TO PERSONS RECEIVING THIS DRAWING AND/OR TECHNICAL INFORMATION"
 Lebow Products Corporation hereby grants to the recipient exclusive license to draw, make, use, sell, or otherwise dispose of the design, model, technical drawings, or data in confidence for engineering information only and may not be reproduced or used for manufacture, copying, or other purposes without direct written permission from Lebow Products to the contrary. The design and/or technical information is the property of Lebow Products and is loaned for mutual assistance to be returned when its purpose has been served.



OPTIONAL
 MAGNETIC SPEED SENSOR

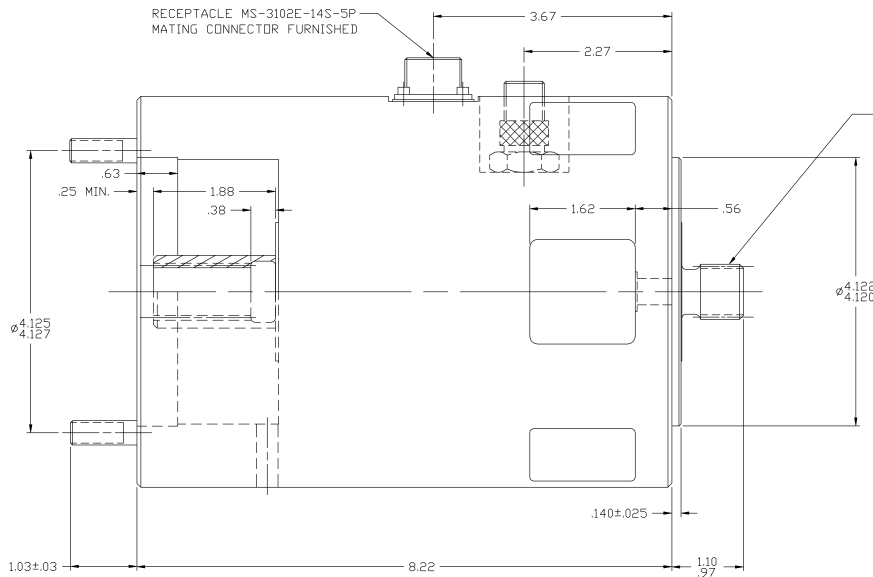
RECEPTACLE MS-3102E-14S-5P
 MATING CONNECTOR FURNISHED

$\phi .406^{+.015}_{-.000}$
 $\phi .609$ SPOTFACE
 .06 DEEP MAXIMUM
 OPPOSITE SIDE ONLY
 (6) HOLES EQUALLY SPACED
 ON A $\phi 5.000$ BOLT CIRCLE

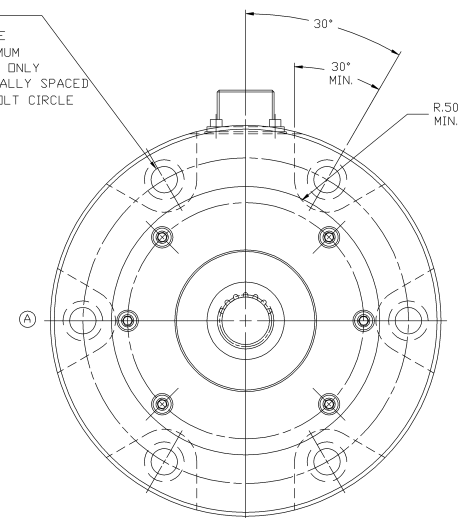


3/8-24 3A THREAD
 6 STUDS EQUALLY SPACED
 ON A $\phi 5.000$ BOLT CIRCLE

SEE INTERNAL
 SPLINE DATA



SEE EXTERNAL
 SPLINE DATA



INTERNAL SPLINE DATA SPECIFICATION
 DIAMETRICAL PITCH-----20/30
 PRESSURE ANGLE-----30°
 NO. OF TEETH-----16
 T.I.F. DIAMETER-----873 MIN.
 MINOR DIAMETER-----733^{+0.015}_{-0.000}
 PITCH DIA. (REF.)-----800

EXTERNAL SPLINE DATA SPECIFICATION
 DIAMETRICAL PITCH-----20/30
 PRESSURE ANGLE-----30°
 NO. OF TEETH-----16
 T.I.F. DIAMETER-----727 MAX.
 MAJOR DIA. (REF.)-----867^{+0.000}_{-0.005}
 PITCH DIA. (REF.)-----800

Ⓐ MOUNTING FLANGE AND DRIVE REFERENCE
 AIR FORCE-NAVY AERONAUTICAL DESIGN
 NO. AND 20002 & 10262

REV. NO.	PART NO.	DESCRIPTION	REV.
Lebow Products Lebow Products Troy, Michigan			
UNLESS OTHERWISE SPECIFIED			
LINEAR DIMENSIONS ARE IN INCHES		REMOVE ALL BURRS & SHARP EDGES	
ANGULAR DIMENSIONS ARE IN DEGREES		SURFACE FINISH 125 ✓	
DIMENSION LIMITS HELD AFTER PLATING			
TOLERANCES		DR BY	CHK BY
DRILLED HOLES	TWO PLACE DECIMALS	JR	-
THREE PLACE DECIMALS	ANGLES	DATE	DATE
REF. DIMS	FRACTIONAL DIMENSIONS	1/22/91	-
SCALE	REF. DIMS	1/22/91	-
CFM	CHKD	1815A	-
DESIGN NO.	DRAWING NO.	TITLE	
1815A	D-1815A-D	O.D. DRAWING	