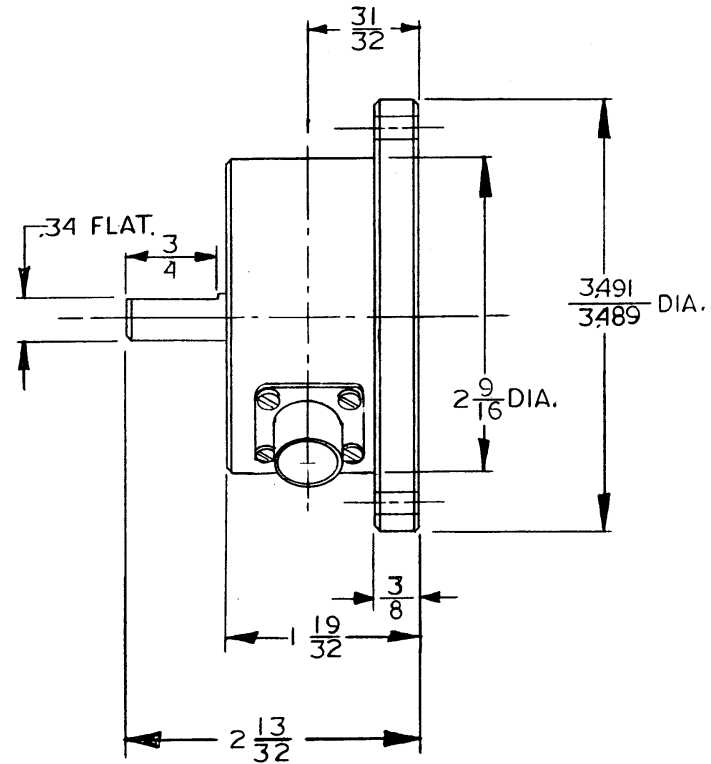
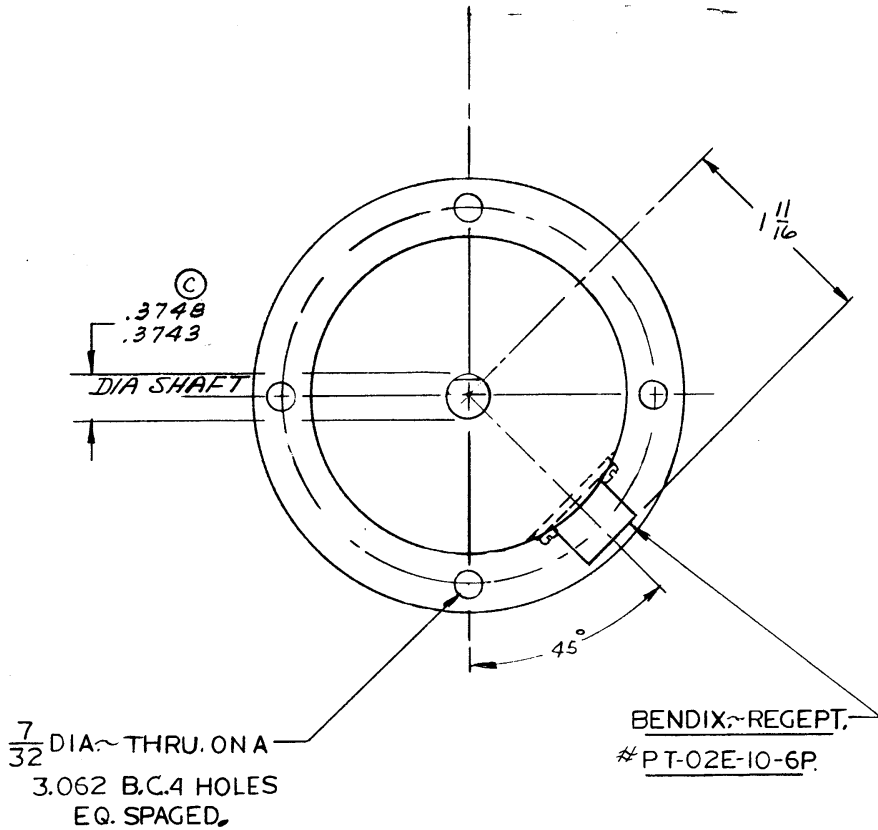


B-2105-D

SCANNED
JUN 28 1998



SPECIFICATION:

CAPACITY. 50 — 1000. OZ INGH.

OUTPUT. 2 MV/V NOM.

OVERLOAD. 150% OF RATED CAPACITY.

Ⓢ PER. Spec. S-2105

SYM.	REVISION	DATE
D	PERFORMANCE SPEC	3-3-81
C	WAS 3750+0000/-0002 ECN 2280	7/1/80
B	VIEW CORRECTED 1 1/16 WAS 2 7/16	3/22/77 CP 47
TA	RELEASED TO PROD. ECN 2280	7/3/74

DET. No	PART No	DESCRIPTION	REQ'D
REACTION ~ TORQUE ~ SENSOR			
SCALE: FULL	DRAWN BY: H.B.S.	REF. DWG: C-21524	MAT'L:
DATE: 7-3-74	CHK'D BY:	MODEL: 2105	JOB NO. ECN 2280
UNLESS OTHERWISE SPECIFIED:			
TOLERANCE ON FRACTIONS ± 1/64		TOLERANCE ON DRILLED HOLES ± .007	
TWO PLACE DECIMALS ± .010		REMOVE ALL BURRS & SHARP EDGES	
THREE PLACE DECIMALS ± .005		DIMENSION LIMITS HELD AFTER PLATING	
ANGLES ± 0°30'		SURFACE FINISH 125 ✓	
LEBOW ASSOCIATES, INC. TROY, MICHIGAN			DRAWING NO. B-2105-D