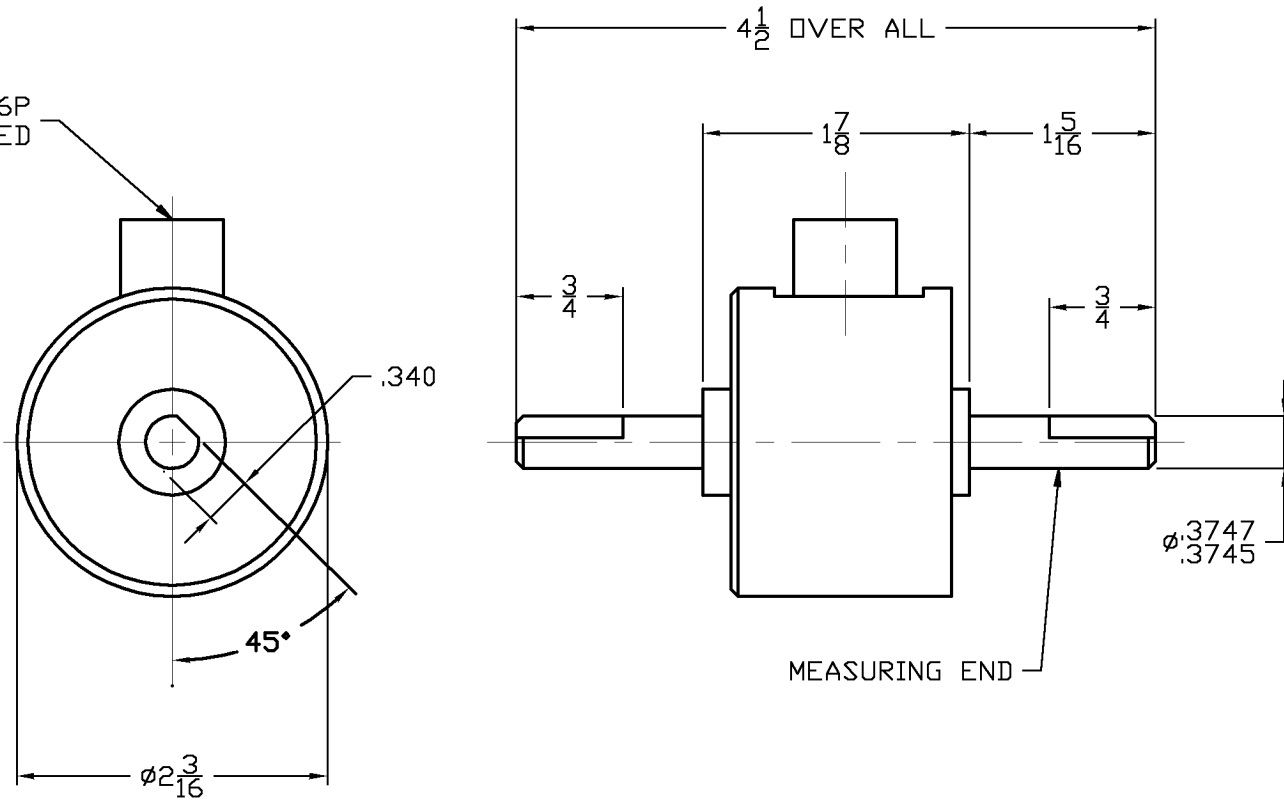


RECEPTACLE: PT02E-10-6P
 MATING CONN. FURNISHED



MEASURING END

DET. NO.	PART NO.	DESCRIPTION	REV'D
		Lebow Products	Lebow Products Troy, Michigan
UNLESS OTHERWISE SPECIFIED			
LINEAR DIMENSIONS ARE IN INCHES		REMOVE ALL BURRS & SHARP EDGES	
ANGULAR DIMENSIONS ARE IN DEGREES		SURFACE FINISH 125 ✓	
DIMENSION LIMITS HELD AFTER PLATING			
TOLERANCES			DR. BY: SALLY
DRILLED HOLES -0.00 +0.07	TWO PLACE DECIMALS ± .00	THREE PLACE DECIMALS ± .005	ENGR.
SCALE: FULL	REF. DIMS: B-13149	FRACTIONAL DIMENSIONS ± 1/64	DATE: 12/04/03
		ANGLES ± 0' 30"	DATE:
		MATL: ~	DATE:
		NOEL:	2120
TITLE: OUTSIDE DIMENSIONS OF STATIONARY T.P.U.			DRAWING NO. A-2120-D
E REDRAW ON CAD 12/04/03			REV.
SYM. REVISION DATE			