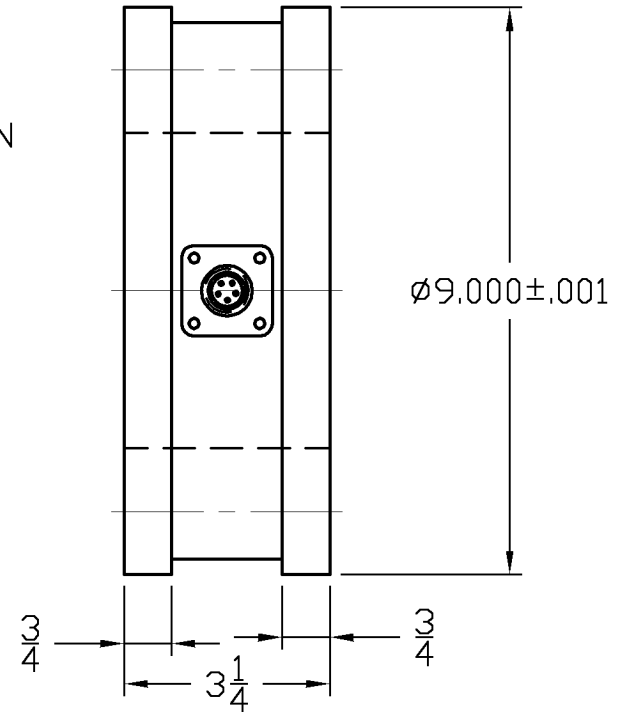
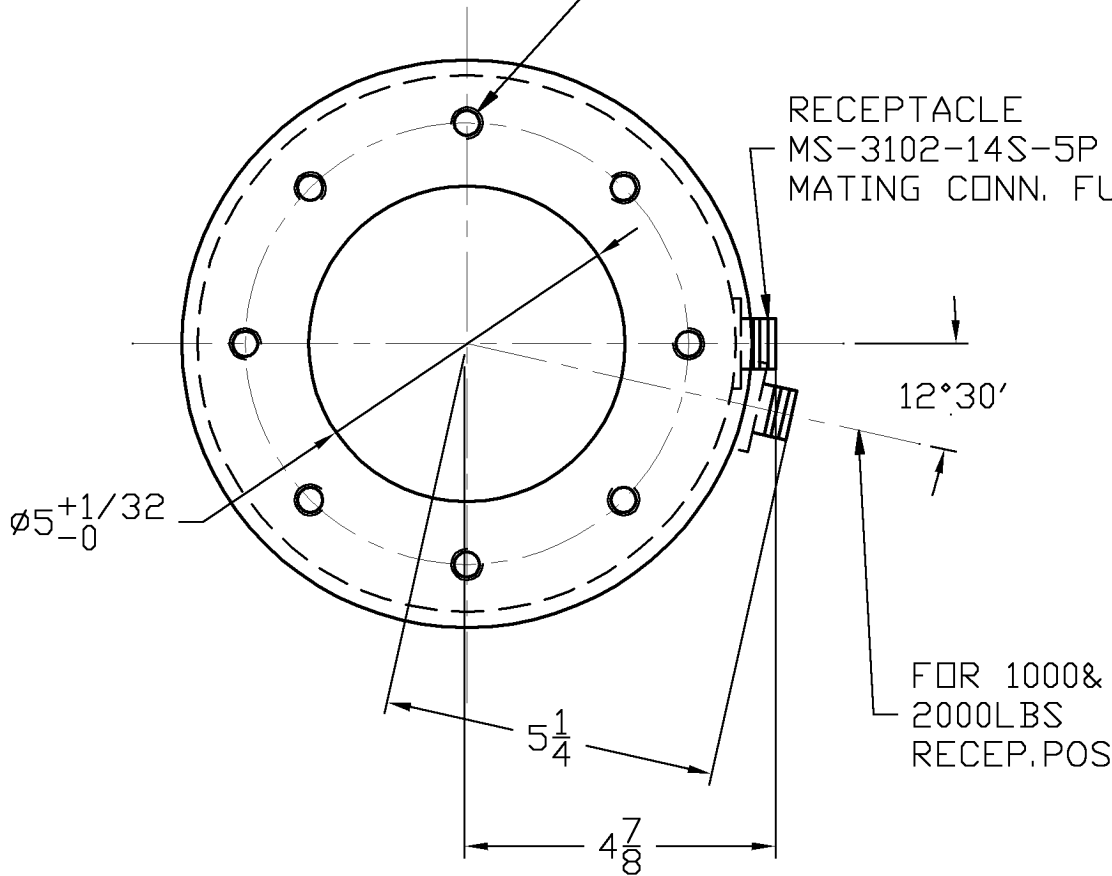


NOTICE TO PURCHASER: RECEIVERS THIS DRAWING AND/OR TECHNICAL INFORMATION IS ISSUED BY LEBOW PRODUCTS AND IS NOT TO BE REPRODUCED OR USED TO MANUFACTURE ANYTHING OTHER THAN THE PARTS SPECIFIED HEREIN. THIS DRAWING AND/OR TECHNICAL INFORMATION IS THE PROPERTY OF LEBOW PRODUCTS AND IS NOT TO BE REPRODUCED OR USED FOR ANY OTHER PURPOSES WITHOUT THE WRITTEN PERMISSION OF LEBOW PRODUCTS.

DO NOT SCALE DRAWING	A-3336-D	REV.
ALL CHANGES TO DRAWING MUST BE DONE ON CAD	THIRD ANGLE PROJECTION	

1/2-13UNC-3B TAP 3/4 DEEP
(8) HOLES EQ. SPACED
BOTH ENDS ON $\phi 7.000$ B.C.



REV. NO.	PART NO.	DESCRIPTION	REV'D.
		Lebow Products Troy, Michigan	
UNLESS OTHERWISE SPECIFIED LINEAR DIMENSIONS ARE IN INCHES ANGULAR DIMENSIONS ARE IN DEGREES DIMENSION LIMITS HELD AFTER PLATING			
TOLERANCES			DR. BY SALLY
DRILLED HOLES -.000 +.007	TWO PLACE DECIMALS $\pm .01$	THREE PLACE DECIMALS $\pm .005$	ENGR.
SCALE HALF	REF. DWG.	FRACTIONAL DIMENSIONS $\pm 1/64$	DATE 12/04/03
TITLE LOAD CELL - OUTSIDE DIMENSIONS (COMPRESSION & TENSION)			DATE 12/04/03
DRAWING NO. A-3336-D			REV.

J	REDRAW ON CAD	12/04/03
SYM.	REVISIONS	DATE