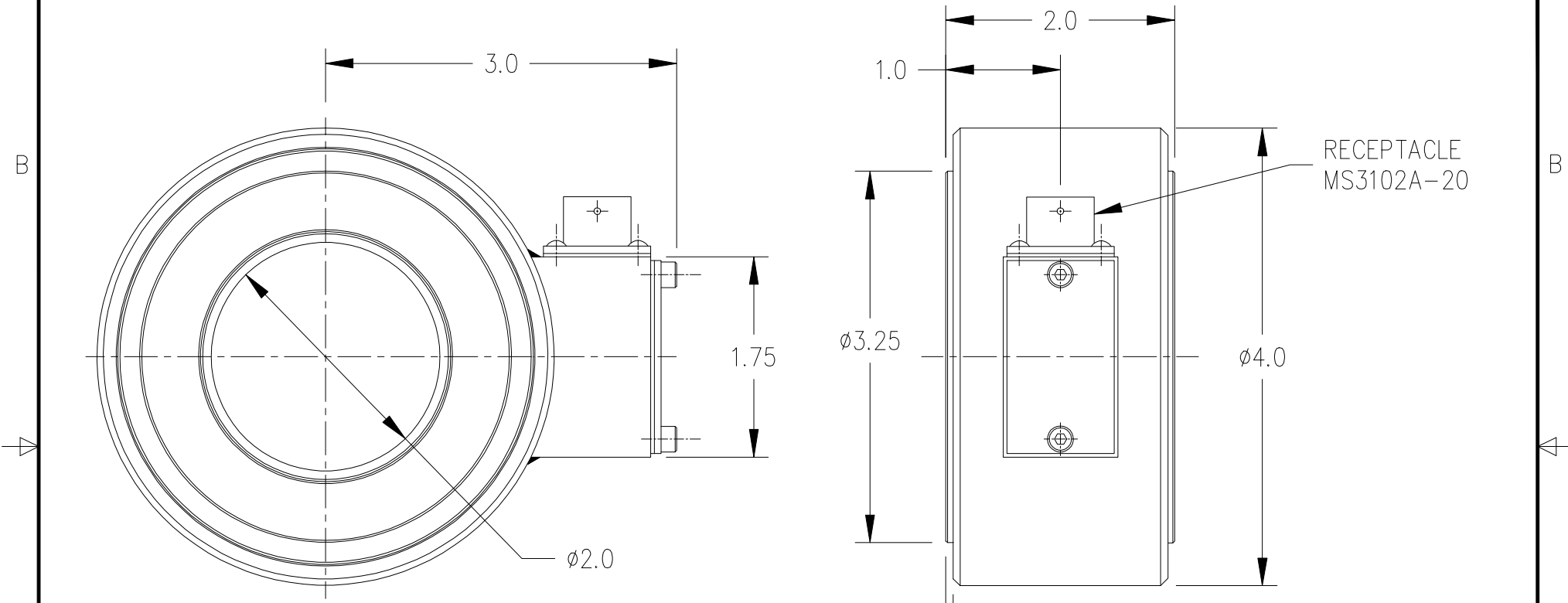


HONEYWELL PART NUMBER
-

REV	DOCUMENT	CHANGED BY	CHECK
E	0055399	SJK 07AUG09	RS



NOTES:

1 - OLD LEBOW DRAWING "B-3632" REV "D".

DESIGN UNITS: INCH			
TOLERANCES UNLESS NOTED:			
NO PLACES	X	±	-
ONE PLACE	.X	±	-
TWO PLACE	.XX	±	.010
THREE PLACE	.XXX	±	.005
ANGLES	X	±	.5°
THIRD ANGLE PROJECTION			

DRAWN	SJK	07AUG09
CHECK	VSY	07AUG09
THIS DRAWING COVERS A PROPRIETARY ITEM AND IS THE PROPERTY OF HONEYWELL. THIS DRAWING IS NOT TO BE COPIED OR USED WITHOUT THE PERMISSION OF HONEYWELL.		
INTERPRET PER ASME Y14.5M-1994 OTHER HONEYWELL ENGINEERING STANDARDS MAY APPLY		
AUTOCAD		

<b>Honeywell</b>				
TITLE HOLLOW LOAD CELL O.D.				
SIZE	TYPE	CAGE CODE	DRAWING NAME	REV
A	E	-	000-LW3632	E
SCALE	NONE	SHEET		1 OF 1