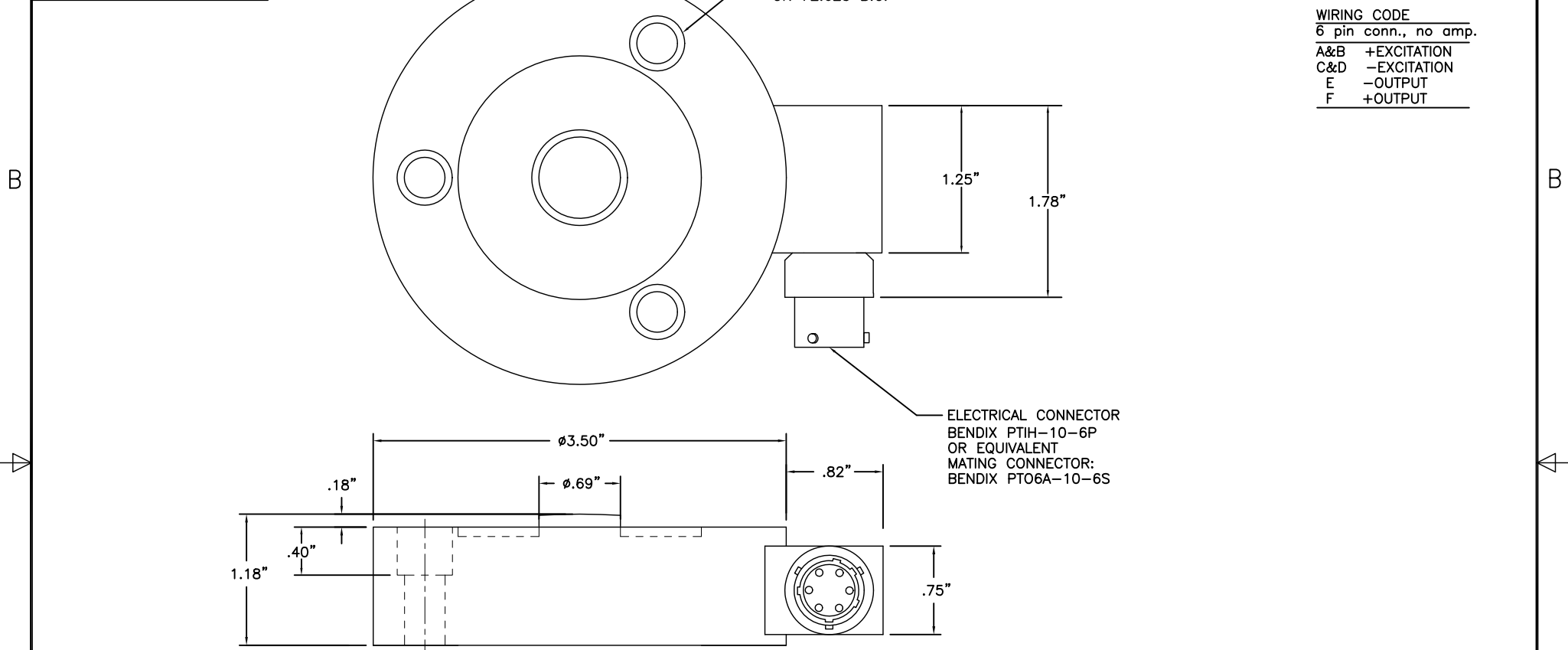


HONEYWELL PART NUMBER
-

REV	DOCUMENT	CHANGED BY	CHECK
A	0044008	JDS 12/29/09	SDG



NOTES:  
1.) SPECIFICATION 080-0122-00 TO APPLY  
UNLESS OTHERWISE SPECIFIED.

DESIGN UNITS: INCH TOLERANCES UNLESS NOTED:	DRAWN	JB	08/18/1975	<b>Honeywell</b>			
	CHECK	RJG	01/14/1997				
NO PLACES X ± - ONE PLACE .X ± - TWO PLACE .XX ± .01 THREE PLACE .XXX ± .005 ANGLES X ± .5°	THIS DRAWING COVERS A PROPRIETARY ITEM AND IS THE PROPERTY OF HONEYWELL. THIS DRAWING IS NOT TO BE COPIED OR USED WITHOUT THE PERMISSION OF HONEYWELL.			TITLE MODEL 43/44 LOAD CELL 1.5 K LB THRU 5 K LB STD. PROD.			
	INTERPRET PER ASME Y14.5M-1994 OTHER HONEYWELL ENGINEERING STANDARDS MAY APPLY			SIZE A	TYPE E	CAGE CODE 51518	DRAWING NAME 000-0429-00
THIRD ANGLE PROJECTION 	AUTOCAD			SCALE	-	SHEET	1 OF 1