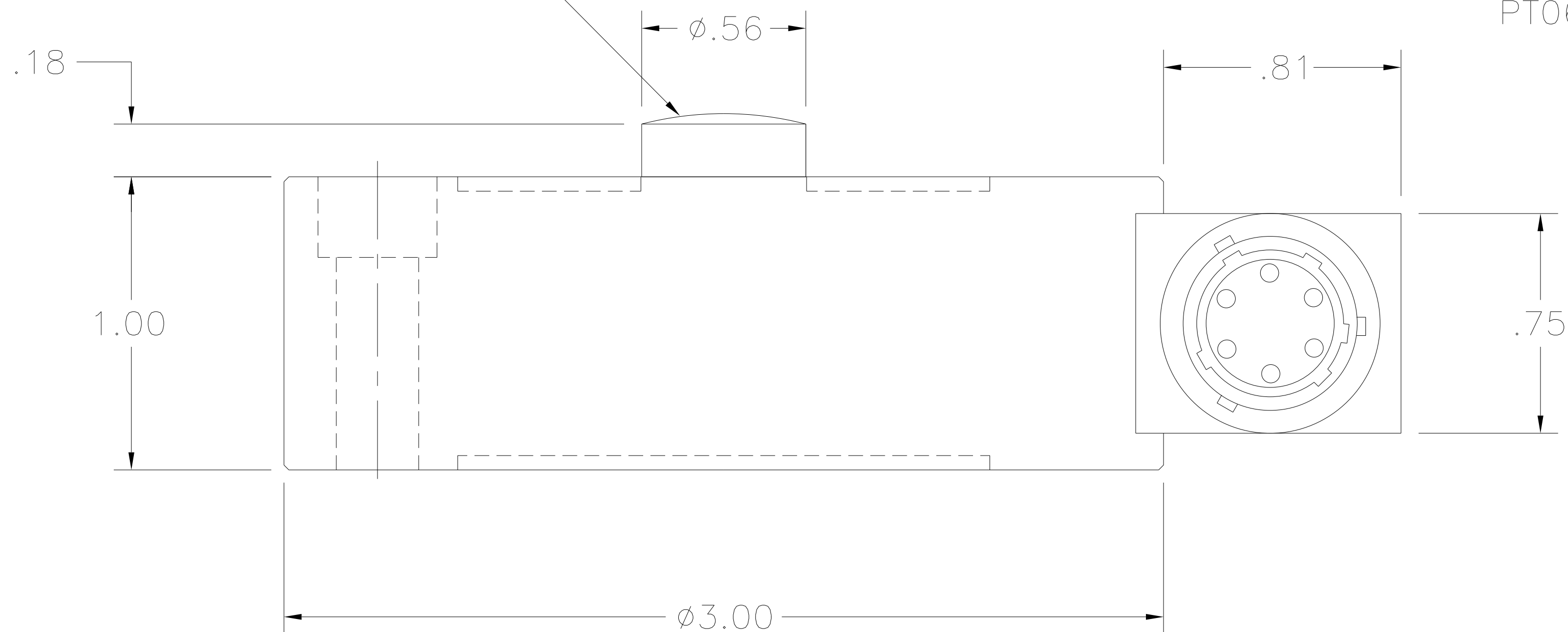


SPHERICAL LOAD SURFACE



ELECTRIC CONNECTOR
BENDIX P/N PTIH-10-6P
OR EQUIVALENT
MATING CONNECTOR
PT06A-10-6S

UNAMPLIFIED	
PIN	DESIGNATION
A	(+) EXCITATION
B	(+) EXCITATION
C	(-) EXCITATION
D	(-) EXCITATION
E	(-) OUTPUT
F	(+) OUTPUT

F	REDRAWN W/ 3 HOLES CHG TO 6 PER ECN 0746	24MAR98 TEM	RJG
REV	DESCRIPTION	REVISED BY	APPROVED BY
DRW:	JB	CHK:	RLR
8-18-75		2-29-96	MFG:
			ENG:

SCALE: NONE

.X ±.1

.XX ±.01

.XXX ±.005

63

SHEET 1 OF 1

DOCUMENT NUMBER
000-0482-00

SENSOTEC INC.
2080 ARLINGATE LANE, COLUMBUS, OHIO 43228
© SENSOTEC, INC. ALL RIGHTS RESERVED

MODEL 43 LOAD CELL
50 THRU 1250 LB. STD. PRODUCT

REV	E
ECN	2892
USED ON	