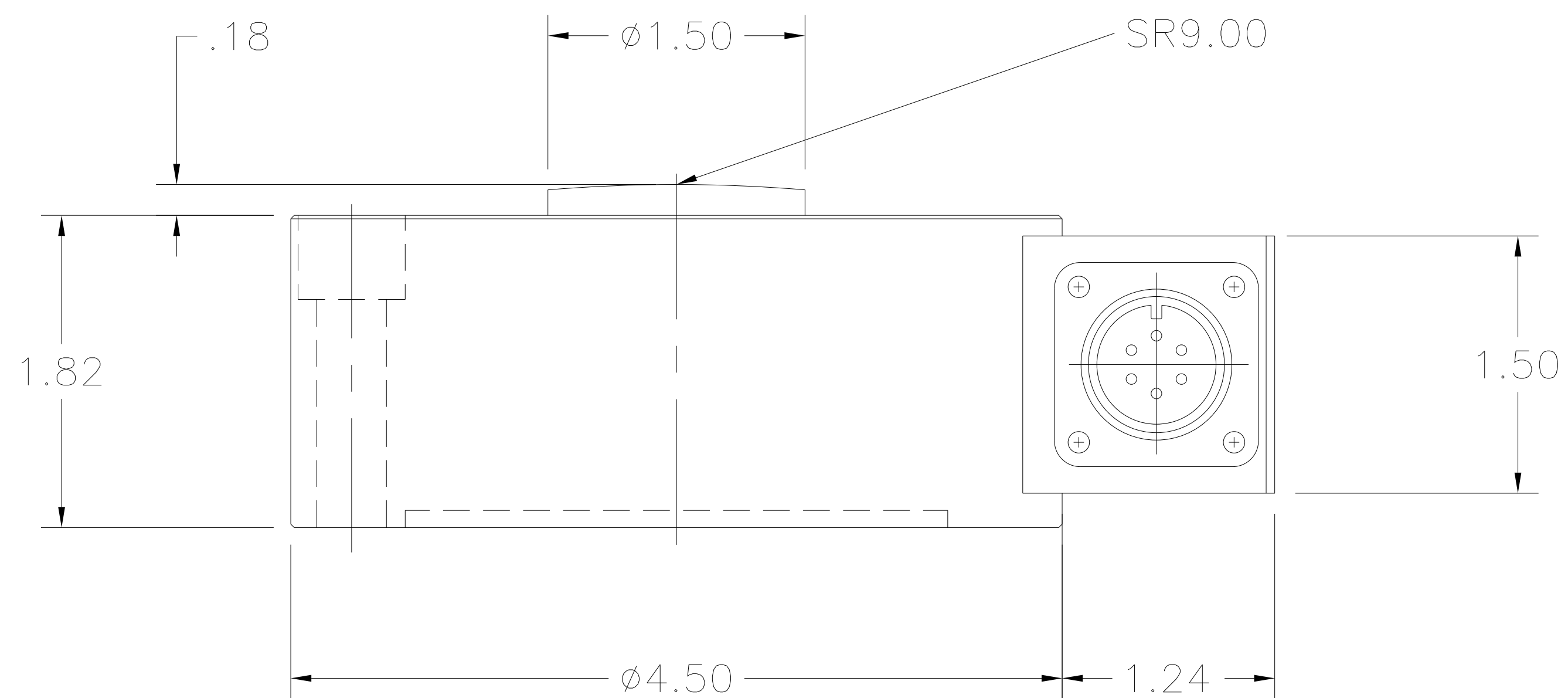


SPECIFICATIONS:

AVAILABLE LOAD RANGES	3,000 TO 50,000 LBS
NONLINEARITY	±0.1% F.S.
HYSTERESIS	±0.1% F.S.
NONREPEATABILITY	±0.03% F.S.
OUTPUT	2 mV/V
EXCITATION	10 VDC
TEMPERATURE EFFECT	
ON ZERO	±0.002% F.S./°F
ON SPAN	±0.002% READING/°F
STATIC OVERLOAD CAPACITY	200% F.S.
MATERIAL	STAINLESS STEEL

ELECTRICAL CONNECTION
MS3102E-14S-6P
OR EQUIVALENT



-	INITIAL RELEASE TO PRODUCTION	-	-
REV	DESCRIPTION	REVISED BY	APPROVED BY
DRW: JWD	CHK: RAF	MFG:	ENG: BJ
2/19/01	02/21/01		2/20/01

SCALE: NONE

.X ±.1

.XX ±.01

.XXX ±.005

63

SHEET 1 OF 1

DOCUMENT NUMBER 000-2025-00

SENSOTEC INC.
2080 ARLINGATE LANE, COLUMBUS, OHIO 43228
© SENSOTEC, INC. ALL RIGHTS RESERVED

OUTLINE DRAWING, MODEL 73 LOAD CELL
NON AMPLIFIED, 3K TO 50K LBS

DR-00696

REV	ECN	USED	ON