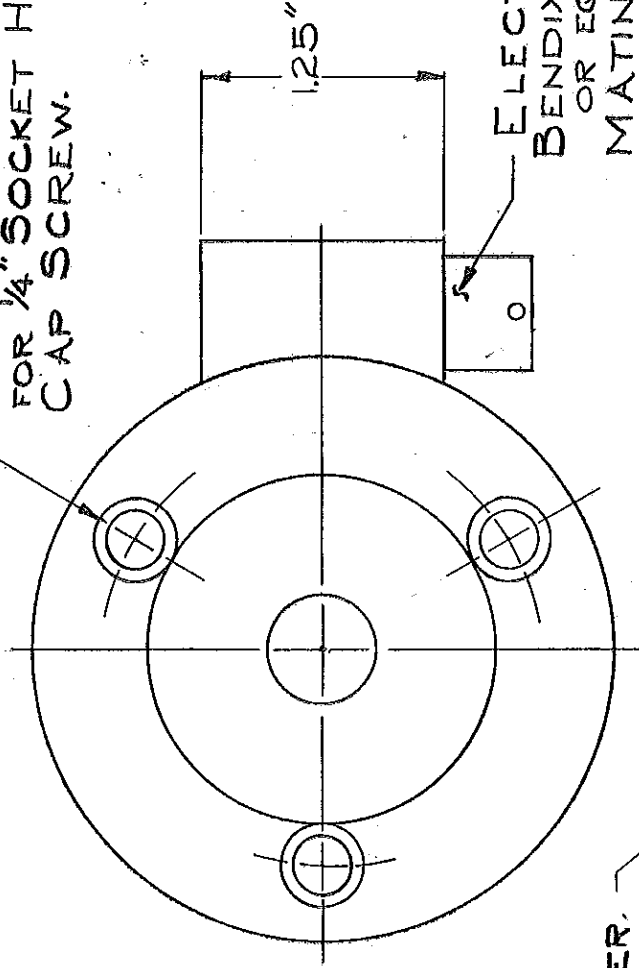
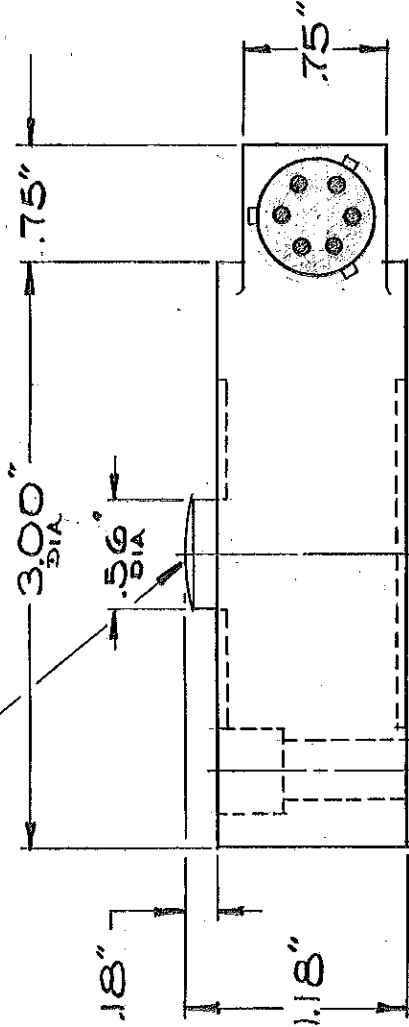


000-1285-00-5

3 MOUNTING HOLES
EQUALLY SPACED ON
2.25" DIA BC. CLEARANCE
FOR 1/4" SOCKET HEAD
CAP SCREW.



6" SPHER.
RAD.



P/N 1711
AVAILABLE RANGE:
0-50 LBS TO 0-500 LBS.

ELECTRICAL CONN.
BENDIX PTH-10-6P
OR EQUIVALENT
MATING CONN.
BENDIX PTO6A-10-6S

REV.	DESCRIPTION	APPROV.	RELEASES
SCALE 1:1	DRAWN 7-2-81 DLF	CHECKED	APPROVED
SENSOTEC INC. 1200 CHESAPEAKE AVE. COLUMBUS, OHIO 43212			
MODEL 73 LOAD CELL P/N 1711		DOCUMENT NUMBER 000-1285-00	
SHEET OF		OF	

USED ON	MATERIAL SPEC
X	
XX	
XXX	
X	

WIRING CODE
 A & B + EXCITATION
 C & D - EXCITATION
 E - OUTPUT
 F + OUTPUT