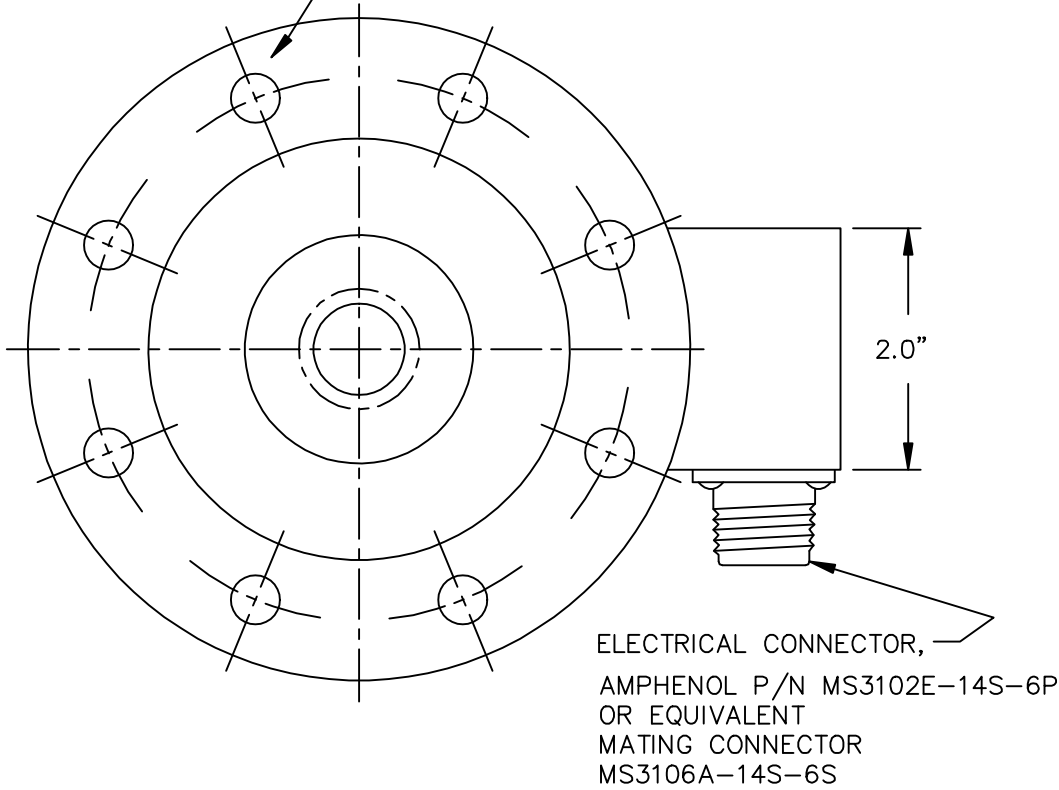


000-1107-00

8 HOLES EQUALLY SPACED,
CLEARANCE for 1/2" S.H.C.S.
ON 4.875" DIA B.C.

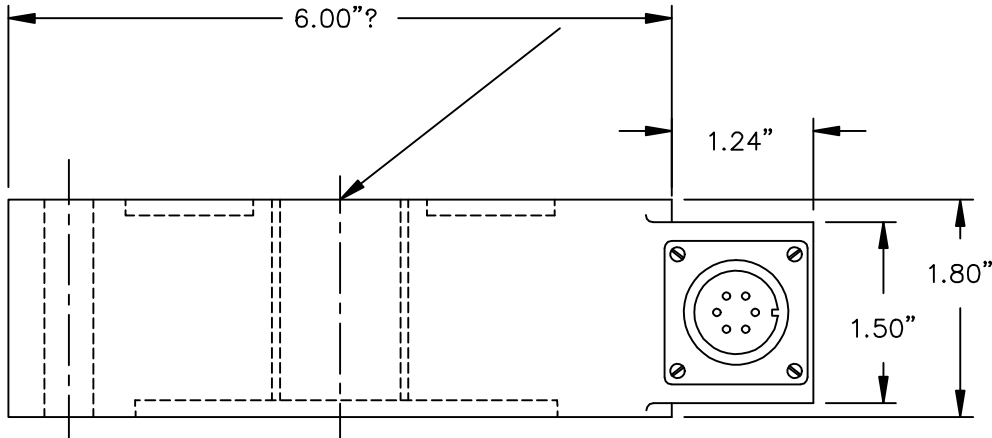
RANGE AVAILABLE
8,000 LB to 25,000 LB



WIRING CODE
6 pin conn., no amp.

A&B	+EXCITATION
C&D	-EXCITATION
E	-OUTPUT
F	+OUTPUT

1 1/2" -12 UNF -2B THRU



GT CODE		REV	DESCRIPTION		XXXXX89 JJB	APPROV. RELEASE
GT SIZE CODE		SCALE: ~	DRAWN 8/29/80	CHECKED:	REVIS BY	APPROV. RELEASE
USED ON P/N 060-1510		<p style="text-align: center;">SENSOTEC INC. 1200 CHESAPEAKE AVE. COLUMBUS, OHIO 43212</p>				<p style="text-align: center;">MODEL 75 LOAD CELL</p>
MATERIAL SPEC.						
		✓		DOCUMENT NUMBER		
		SHEET 1 of 1		000-1107-00		