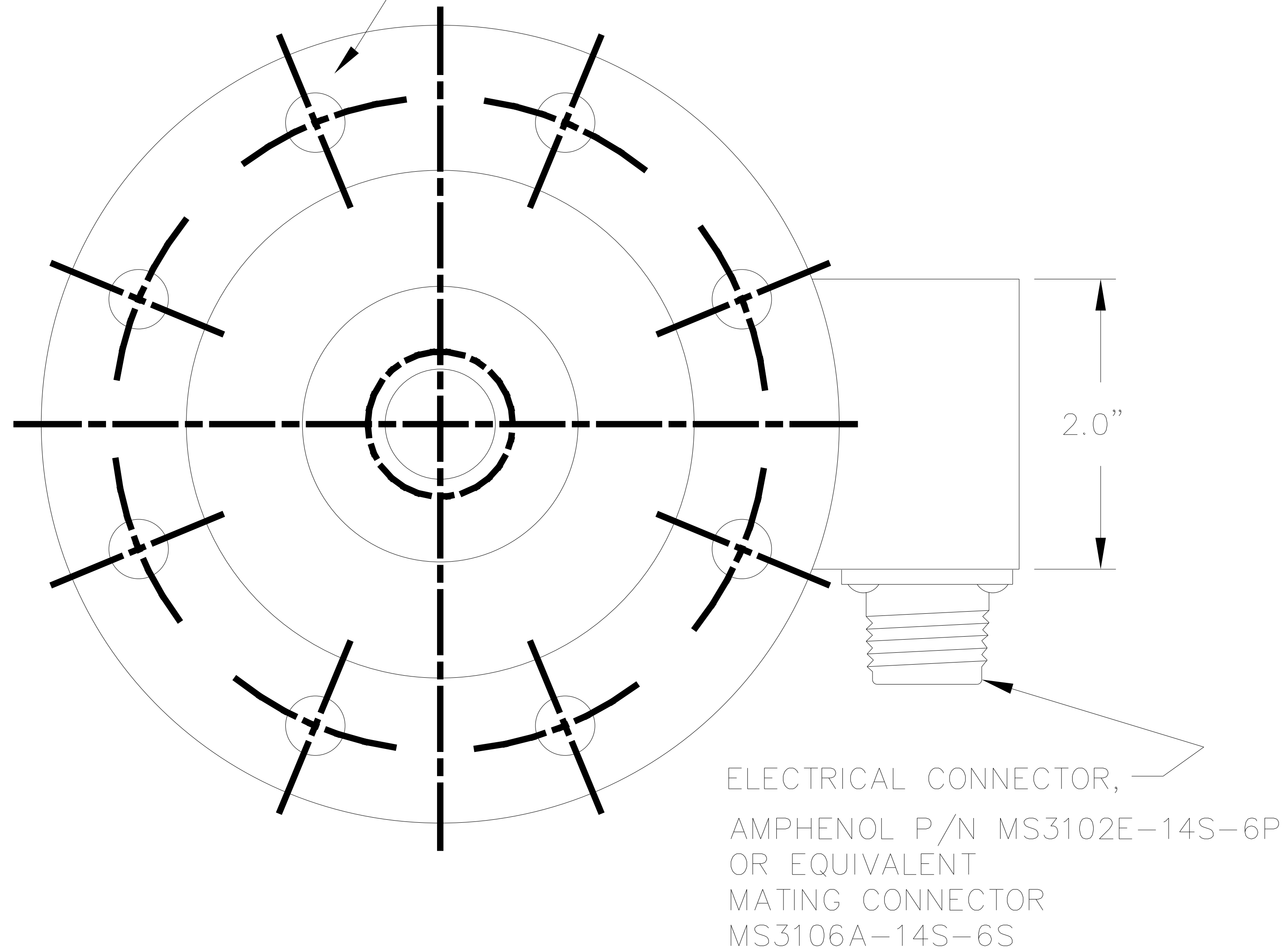


000-1108-00

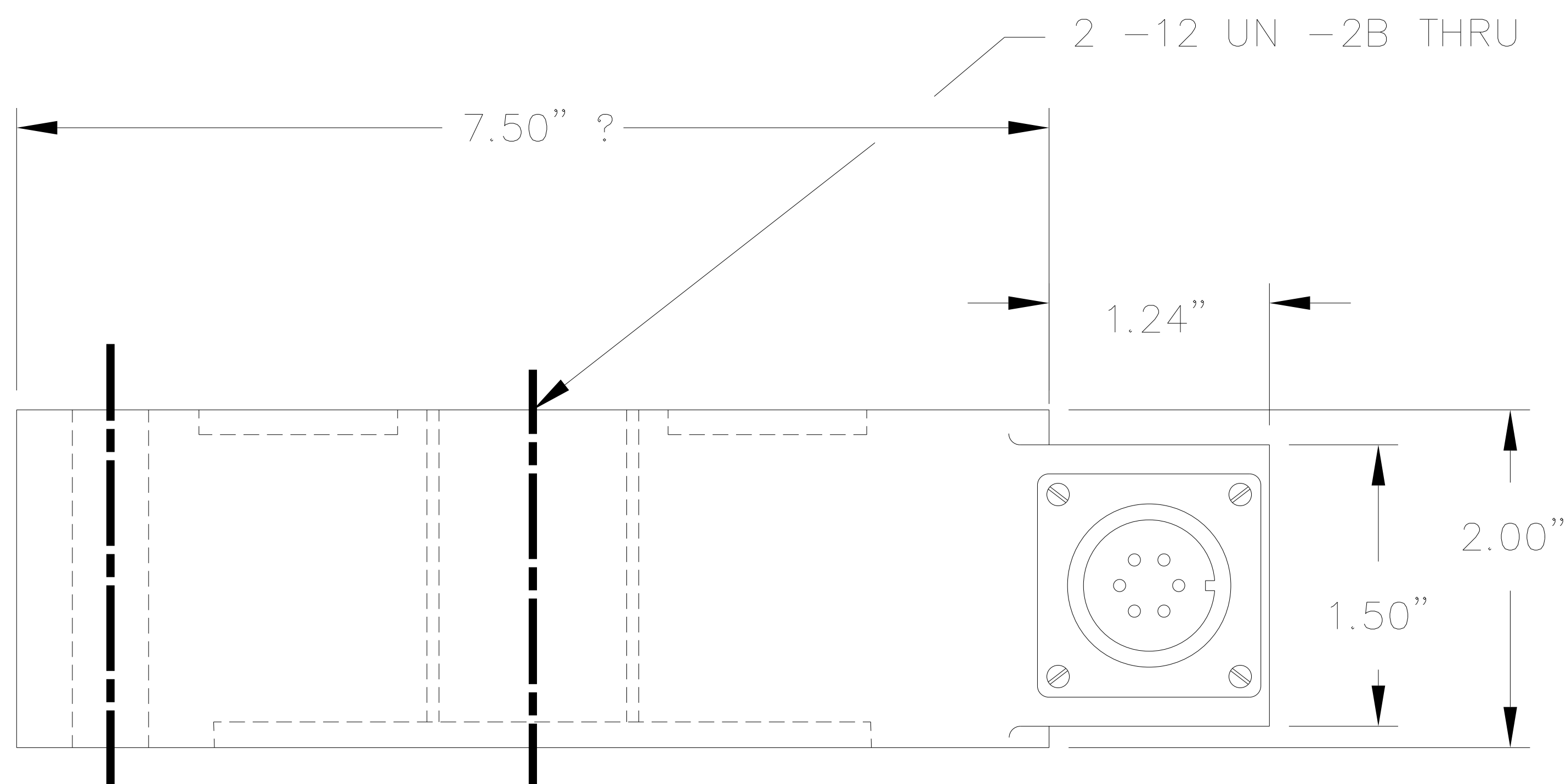
8 HOLES EQUALLY SPACED,
CLEARANCE for 3/4" S.H.C.S.
ON 6.000" DIA B.C.

RANGE AVAILABLE
26,000 LB to 50,000 LB



WIRING CODE
6 pin conn., no amp.

A&B	+EXCITATION
C&D	-EXCITATION
E	-OUTPUT
F	+OUTPUT



		REVISED PER ECN #		XXXXX89	
GT CODE	REV	DESCRIPTION		JJB	APPROV. RELEASE
GT SIZE CODE	SCALE: ~	DRAWN 8/29/80	CHECKED:	REVISOR BY	APPROVED:
USED ON	P/N 060-1511		<p style="text-align: center;">SENSOTEC INC. 1200 CHESAPEAKE AVE. COLUMBUS, OHIO 43212</p>		
MATERIAL SPEC.	.X				
	.XX				
	.XXX				
	✓	DOCUMENT NUMBER			
	✗	SHEET 1 of 1	000-1108-00		