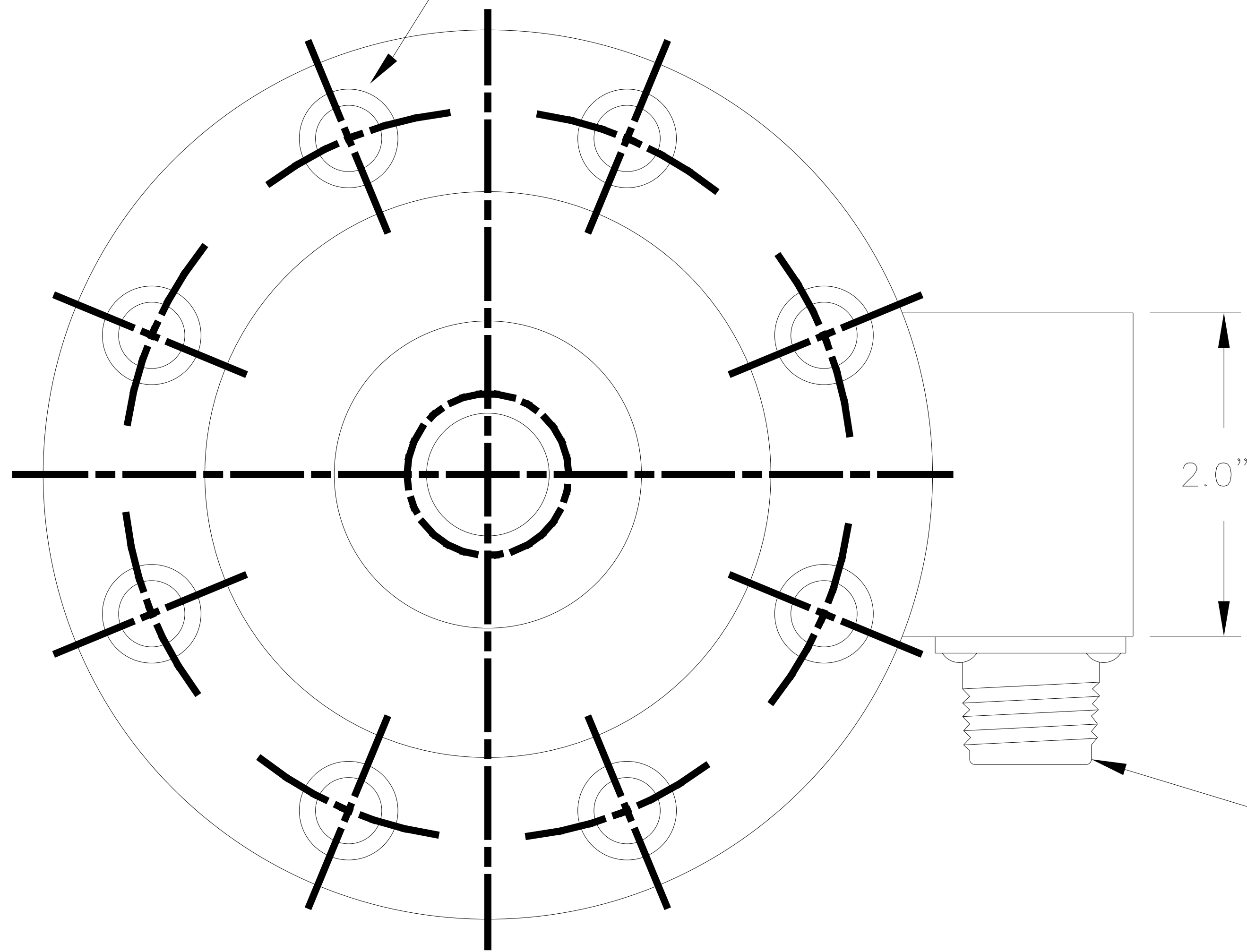


8 HOLES EQUALLY SPACED,
CLEARANCE for 3/8" S.H.C.S.
ON 4.500" DIA B.C.

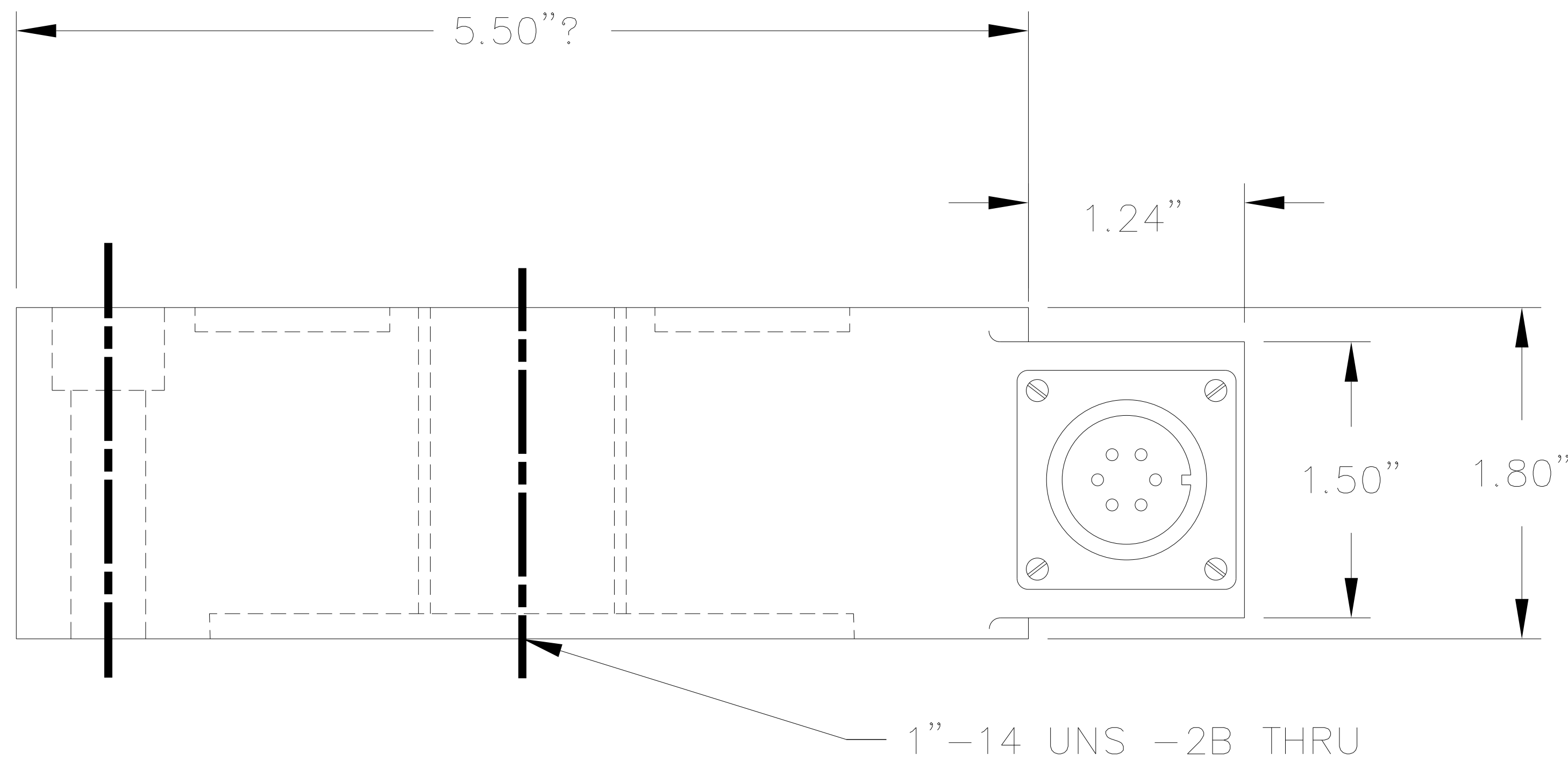
RANGE AVAILABLE
2600 LB to 7500 LB



WIRING CODE
6 pin conn., no amp.

A&B	+EXCITATION
C&D	-EXCITATION
E	-OUTPUT
F	+OUTPUT

ELECTRICAL CONNECTOR,
AMPHENOL P/N MS3102E-14S-6P
OR EQUIVALENT
MATING CONNECTOR
MS3106A-14S-6S



GT CODE		REV	DESCRIPTION	XXXXX89 JJB	APPROV. RELEASE	
GT SIZE CODE		SCALE: ~	DRAWN 8/29/80 JJB	CHECKED:	APPROVED:	
USED ON P/N 060-1509		<p style="text-align: center;">SENSOTEC INC. 1200 CHESAPEAKE AVE. COLUMBUS, OHIO 43212</p>				
MATERIAL SPEC.						.X
						.XX
		.XXX	MODEL 75 LOAD CELL			
		✓	DOCUMENT NUMBER			
		✗	000-1106-00			
		SHEET 1 of 1				