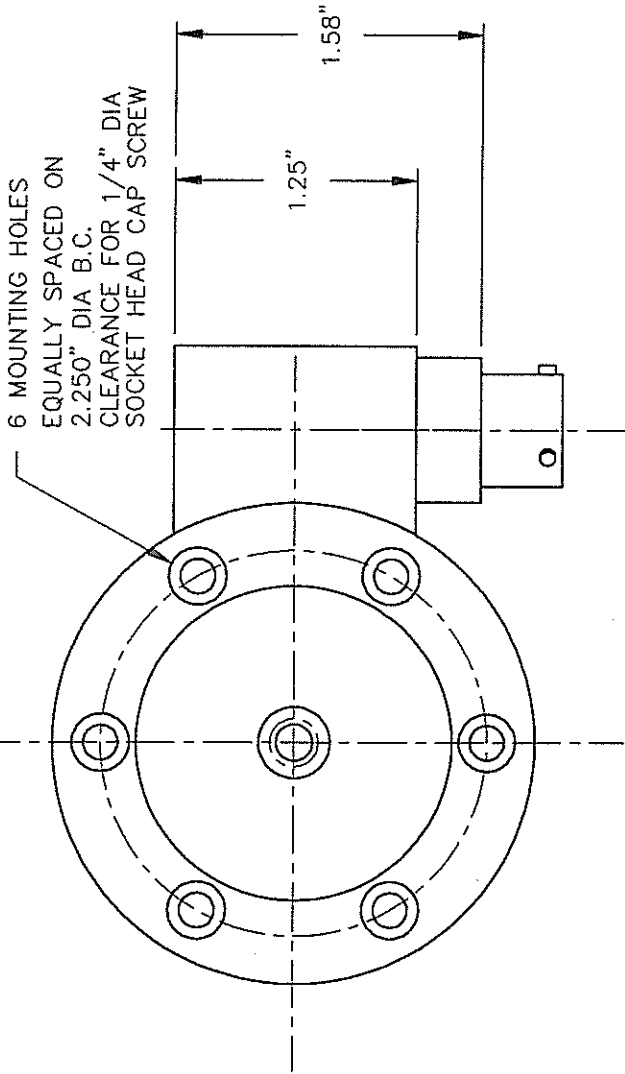
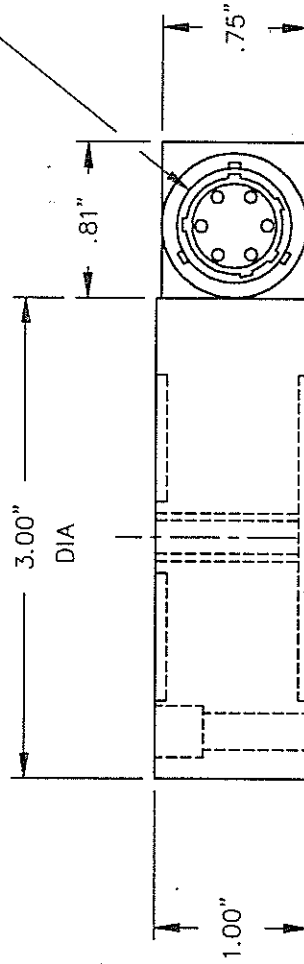


000-1104-00



BENDIX CONNECTOR
PT1H-10-6P OR EQUIVALENT
MATING CONNECTOR
BENDIX PT06A-10-6S



3/8 -24 UNF -2B

WIRING CODE
6 pin conn., no amp.
A&B +EXCITATION
C&D -EXCITATION
E -OUTPUT
F +OUTPUT

REV	REVISD PER ECN #	DESCRIPTION	REVISED BY	APPROV. / RELEASE
SCALE: ~	9/10/71	9/10/71	5-2-80	APPROVED: [Signature]
GT CODE	GT SIZE	GT CODE	DRAWN: [Signature]	
USED ON	P/N	060-	SENsOTEC INC. 1200 CHESAPEAKE AVE. COLUMBUS, OHIO 43212	
MATERIAL SPEC.	MODEL 75 LOAD CELL 50# THRU 500 LBS			
SHEET 1 OF 1			DOCUMENT NUMBER 000-1104-00	