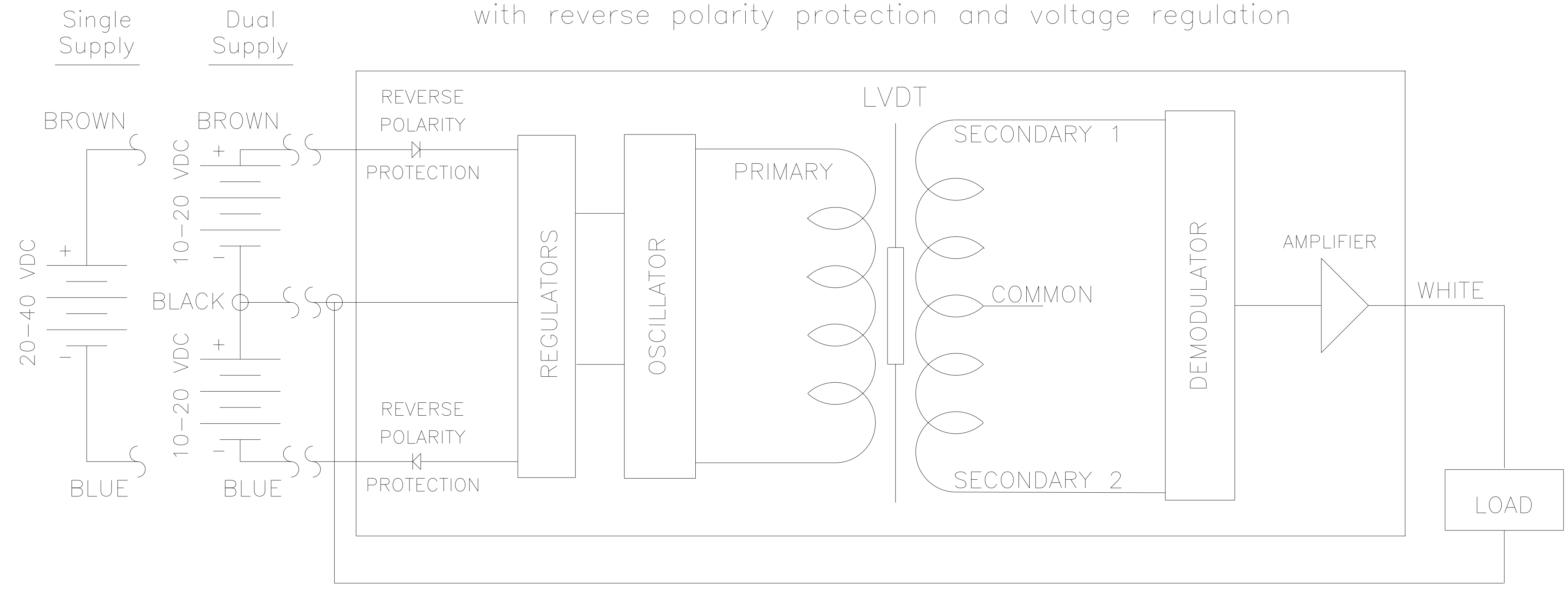


DC/DC LVDT (Single or Dual power supply)
with reverse polarity protection and voltage regulation



WIRE	DESIGNATION
Brown	(+) Supply
Blue	(-) Supply
White	(+)Output (+/-5 VDC, min. 2000 ohm load)
Black	(-)Output/Supply Return

A	CONV. TO DUAL PURP DWG., ECN #359	12-16-97 D.STONE	12-16-97 JHM
REV	DESCRIPTION	REVISED BY	APPROV. RELEASE
SCALE: NONE	DRAWN D.STONE 5-28-97	CHECKED: 05/30/97 rfr	APPROVED: 05/30/97 rfr
SENSOTEC INC. 1200 CHESAPEAKE AVE. COLUMBUS, OHIO 43212			
.X	WIRING CODE, LVDT, DC/DC, SIN/DUAL SUP. REV. POL. PROT. & VOLTAGE REGULATOR		
.XX ±01			
.XXX ±005			
±/2°			
63		DOCUMENT NUMBER	
SHEET 1 OF 1		001-0787-00	