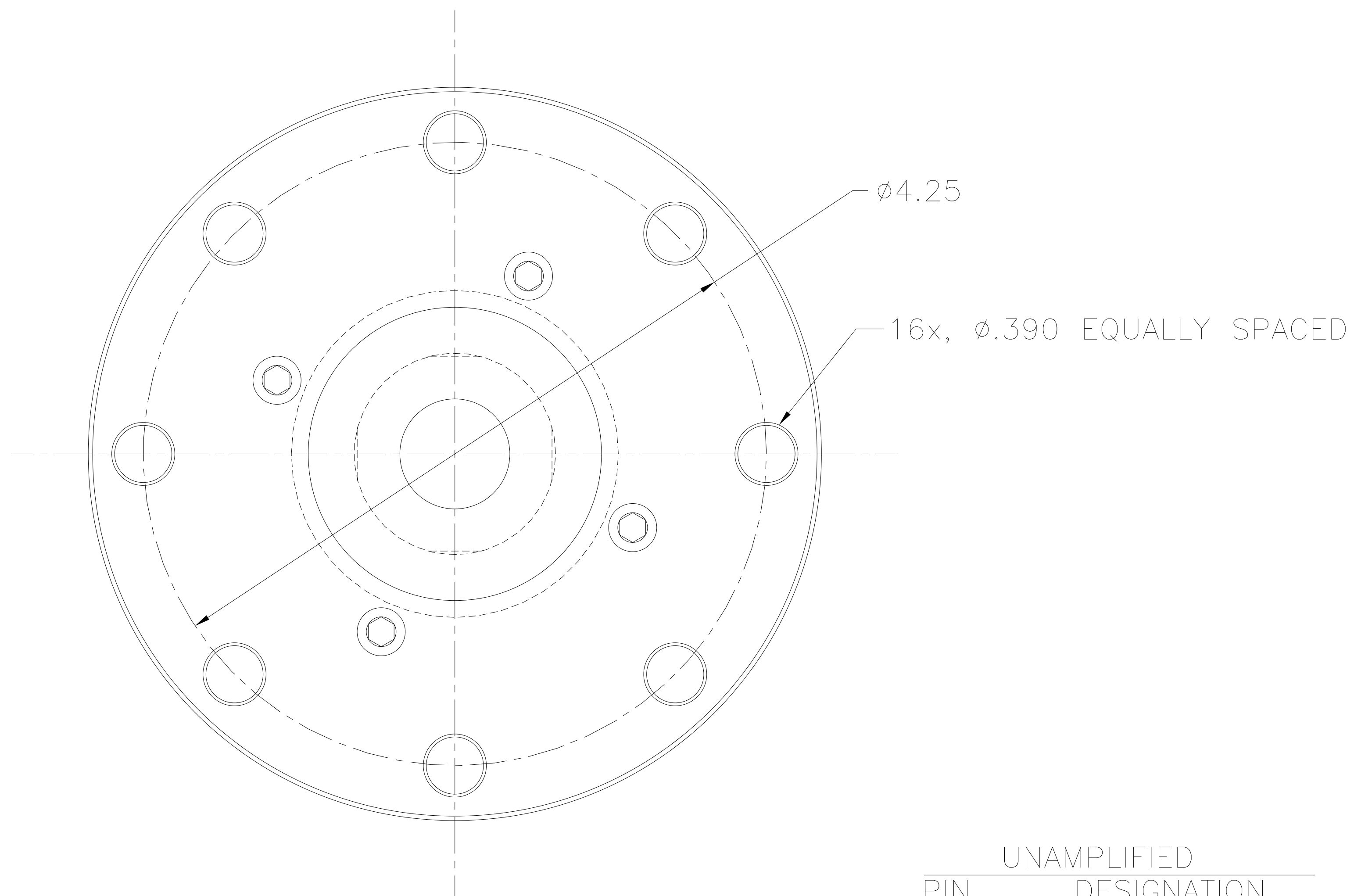
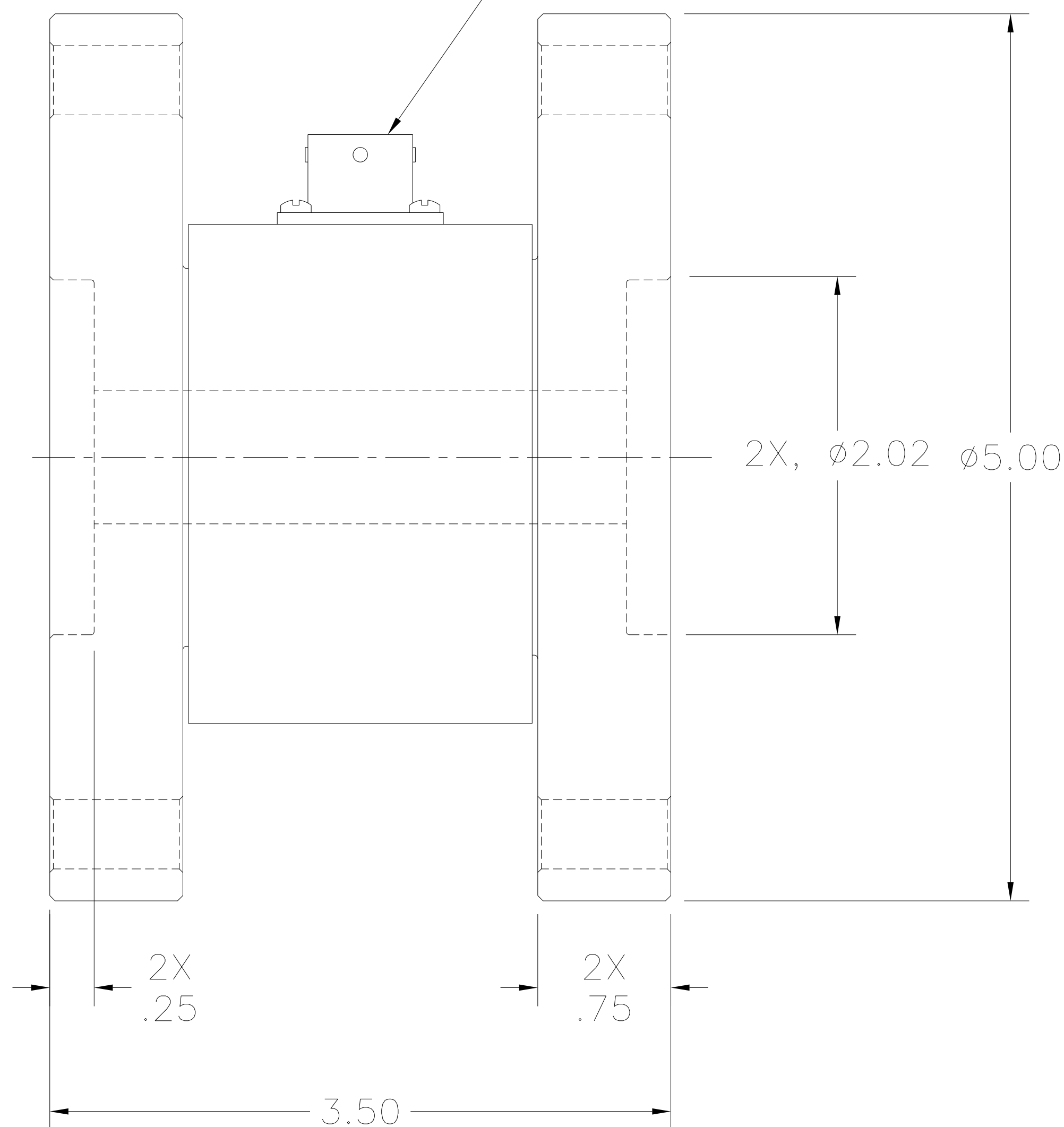


ELECTRICAL CONNECTION
BENDIX PTIH-10-6P
OR EQUIVALENT
MATING CONNECTOR
PT06A-10-6S(SR)
(NOT INCLUDED)



UNAMPLIFIED

PIN	DESIGNATION
A	(+)EXCITATION
B	(+)EXCITATION
C	(-)EXCITATION
D	(-)EXCITATION
E	(-)OUTPUT
F	(+)OUTPUT

A	REDRAWN PER ECN #00014	TY	RAF
REV	DESCRIPTION	11-3-98	11/03/98
DRW:	MAW	CHK:	RAF
	2-1-82		11/03/98
		MFG:	ENG:
			RAF
			11/03/98

SCALE: NONE	SENSOTEC INC. 2080 ARLINGATE LANE, COLUMBUS, OHIO 43228 © SENSOTEC, INC. ALL RIGHTS RESERVED	REACTION TORQUE TRANSDUCER 12K IN LBS - 26K IN LBS P/N 2563	XX XX
.X ±.1			
.XX ±.01			
.XXX ±.005			
USED ON	63	DOCUMENT NUMBER	
	SHEET 1 OF 1	000-1346-00	