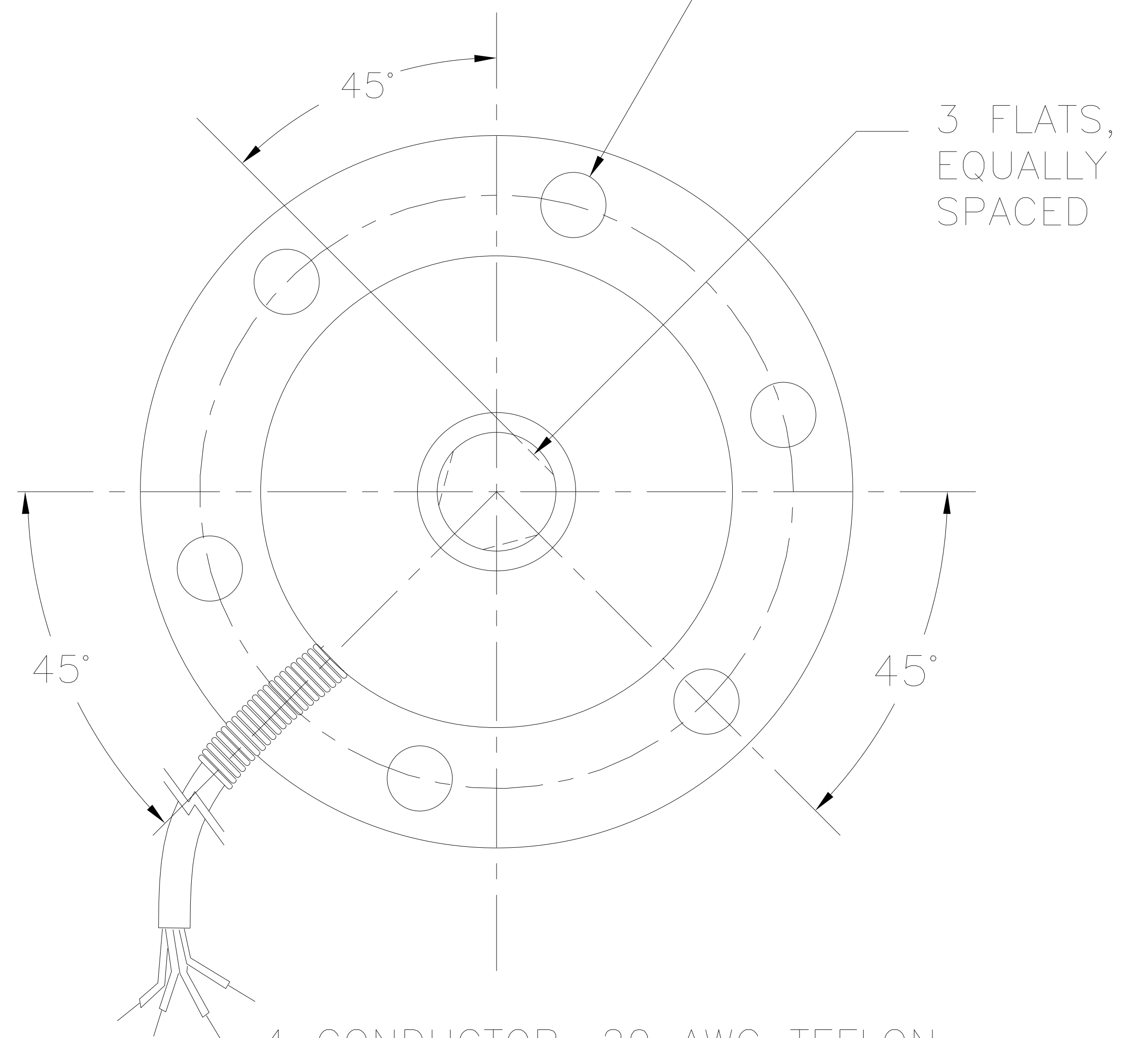


6 HOLES, EQUALLY SPACED
ON $\phi 1.875$ " BOLT CIRCLE,
CLEARANCE for # 10 CAP SCREW



4 CONDUCTOR, 20 AWG TEFLON
JACKETED CABLE, 5 FEET LONG
w/SPRING STRAIN RELIEF

SENSOTEC PART NUMBER 060-1684-00

AVAILABLE CAPACITY: 25, 100, 250 IN-OZS.
50, 100, 300 IN-LBS.

OUTPUT: 2 mV/V NOMINAL
POSITIVE CLOCKWISE

ZERO BAL: 0.5 % F.S./100° F
LINEARITY: 0.1% F.S.
HYSTERESIS: 0.1% F.S.
SPAN T.C.: .005% F.S./°F
ZERO T.C.: .005% F.S./°F

BRIDGE RESISTANCE: 350 Ω
EXCITATION: 10 VDC
MATERIAL: 17-4 P.H.
STAINLESS STEEL

WIRING CODE

4 cond. cable, no amp

RED +EXCITATION
BLACK -EXCITATION
GREEN -OUTPUT
WHITE +OUTPUT

| | | | | |
|-------------|------------------------|-----------------|----------------|-----------------|
| D | REVISED PER ECN # 4055 | DEFINE FLAT LOC | 11DEC92 JJB | |
| REV | DESCRIPTION | | REVISED BY | APPROV. RELEASE |
| SCALE: NONE | DRAWN 16FEB71 JJB | CHECKED: | APPROVED: | |

SENSOTEC INC.

1200 CHESAPEAKE AVE.
COLUMBUS, OHIO 43212

TORQUE TRANSDUCER
MODEL QWLC-8M

| | | | | |
|-----------------|--------------|--|-----------------|--|
| .X | | | DOCUMENT NUMBER | |
| .XX $\pm .01$ | | | 000-0111-00 | |
| .XXX $\pm .005$ | 63 | | | |
| $\pm 1/2$ | SHEET 1 OF 1 | | | |