

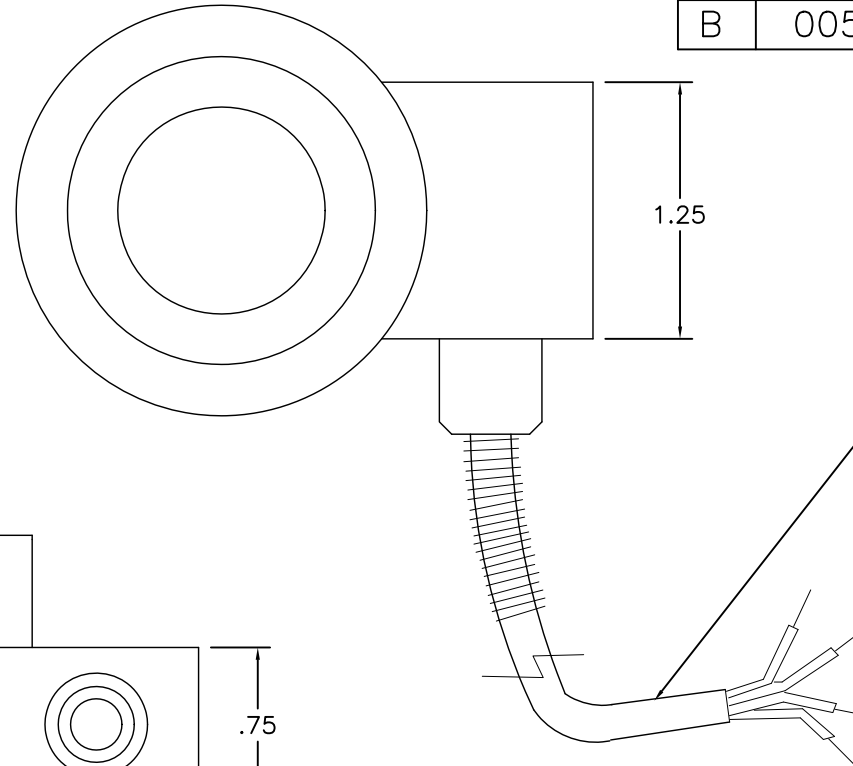
HONEYWELL PART NUMBER
-

REV	DOCUMENT	CHANGED BY	CHECK
B	0055149	VSY 28JUL09	SDG

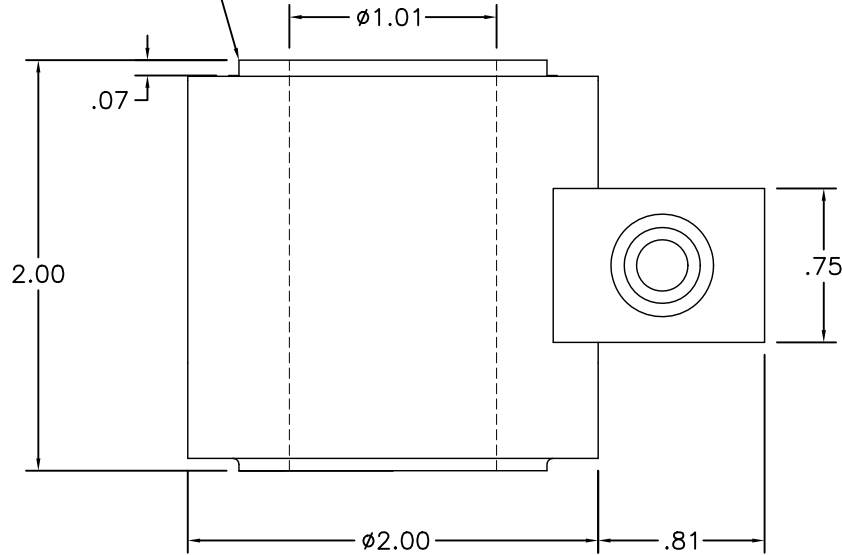
P/N 1588  
AVAILABLE RANGE:  
0-26K THRU 0-50 K LBS.

20 GA. TEFLON  
INSULATED, 4 CONDUCTOR  
COLOR CODED CABLE  
5 FT. LONG

WIRING CODE  
RED + EXCITATION  
BLACK - EXCITATION  
WHITE + OUTPUT  
GREEN - OUTPUT



ACTIVE END UP



1.25

2.00

$\phi 1.01$

.07

.75

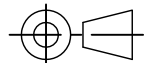
$\phi 2.00$

.81

DESIGN UNITS: INCH  
TOLERANCES UNLESS NOTED:

NO PLACES	X	±	-
ONE PLACE	.X	±	.2
TWO PLACE	.XX	±	.02
THREE PLACE	.XXX	±	.010
ANGLES	X	±	.5°

THIRD ANGLE PROJECTION



DRAWN	SR	25FEB86
CHECK	-	-
THIS DRAWING COVERS A PROPRIETARY ITEM AND IS THE PROPERTY OF HONEYWELL. THIS DRAWING IS NOT TO BE COPIED OR USED WITHOUT THE PERMISSION OF HONEYWELL.		
INTERPRET PER ASME Y14.5M-1994 OTHER HONEYWELL ENGINEERING STANDARDS MAY APPLY		

AUTOCAD

# Honeywell

TITLE OUTLINE, MODEL "TH" LOADCELL  
W/CABLE EXIT

SIZE	TYPE	CAGE CODE	DRAWING NAME	REV
A	I	51518	000-1776-00	B

SCALE - SHEET