

Honeywell

**FLOW SWITCH
BRASS BODIED
3/4" BSP FITTINGS**

CATALOGUE LISTING
**FRN SERIES
CHART 5**

CATALOGUE LISTING	I S S	RELEASE NUMBER	SWITCH RATING	CABLE LENGTH	NOTES
FRN12112	I	MS-12002	250V RMS, 3A	1 METRE	① ② ③ ④
FRN22112-11	I		300VDC, 0.5A, 10W	1 METRE	① ② ③ ⑤

FRN SERIES
CHART 5

M

DRAWING NUMBER

2

ISSUE

REPLACES

MS12002

RELEASE NUMBER

REVISIONS

NO

BY

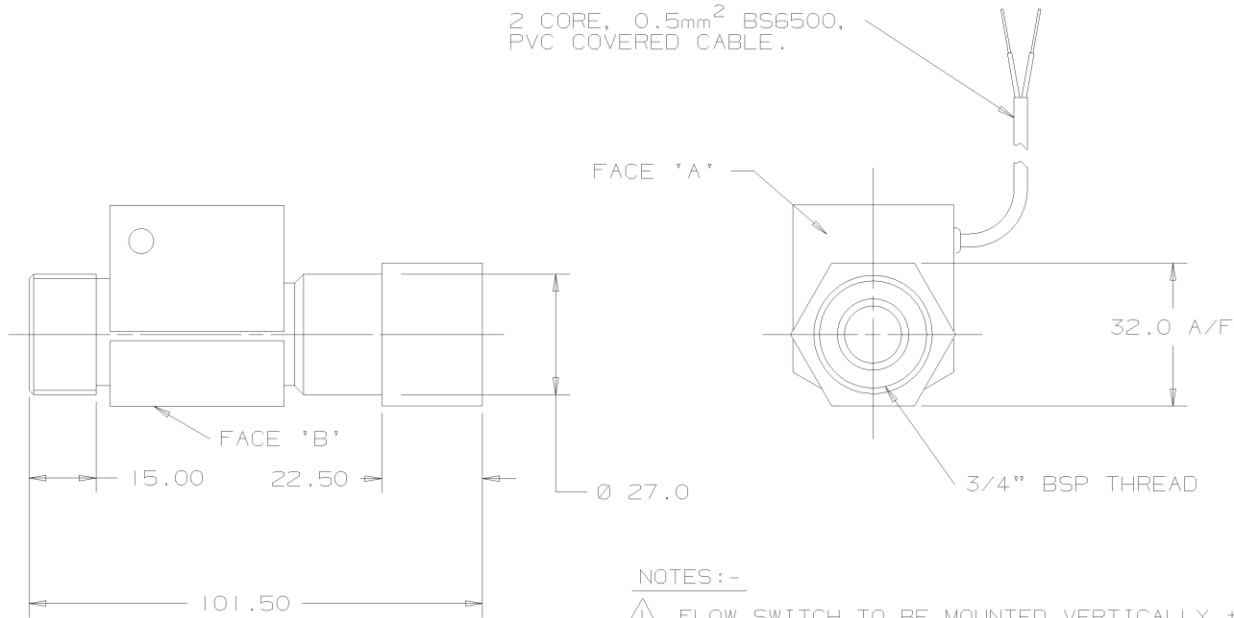
DATE

10/6/98

MODIFY ON CAD3D SYSTEM ONLY

DRAWN
CHECK
DESIGN
AUTHOR

THIS DRAWING MUST NOT BE ALTERED
WITHOUT THE WRITTEN APPROVAL OF
COMPONENTS ENGINEERING DESIGN GROUP



NOTES :-

- ① FLOW SWITCH TO BE MOUNTED VERTICALLY ±15°, WITH THE DIRECTION OF FLOW ARROW POINTING IN THE UP DIRECTION.
- ② FLOW RATE AT SWITCH 'ON':- 1.0L/MIN. WATER.
- ③ MARKINGS ON FACE 'A' :- CAT. LISTING, DATE CODE (YY-WW) AND 'MADE IN UK'.
- ④ MARKINGS ON FACE 'B' :- HONEYWELL AND MOUNTING ORIENTATION ARROW.
- ⑤ MARKINGS ON FACE 'B' :- MOUNTING ORIENTATION ARROW.

THE COPYRIGHT OF THIS DRAWING IS THE PROPERTY OF HONEYWELL LTD. THIS DRAWING IS SUPPLIED IN CONFIDENCE AND MUST NOT BE USED FOR ANY PURPOSE OTHER THAN THAT FOR WHICH IT IS SUPPLIED.

THIRD ANGLE PROJECTION

SCALE :- N.T.S.

DIMENSIONS ARE IN MILLIMETRES