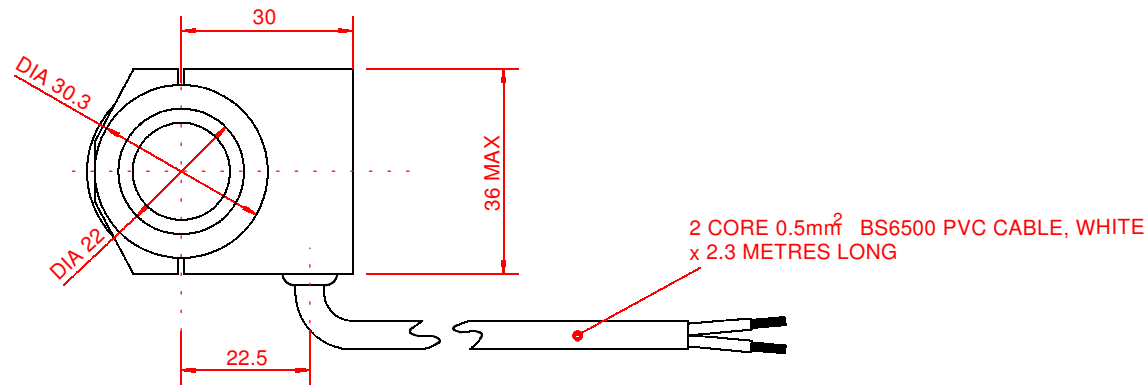
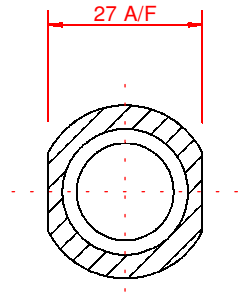
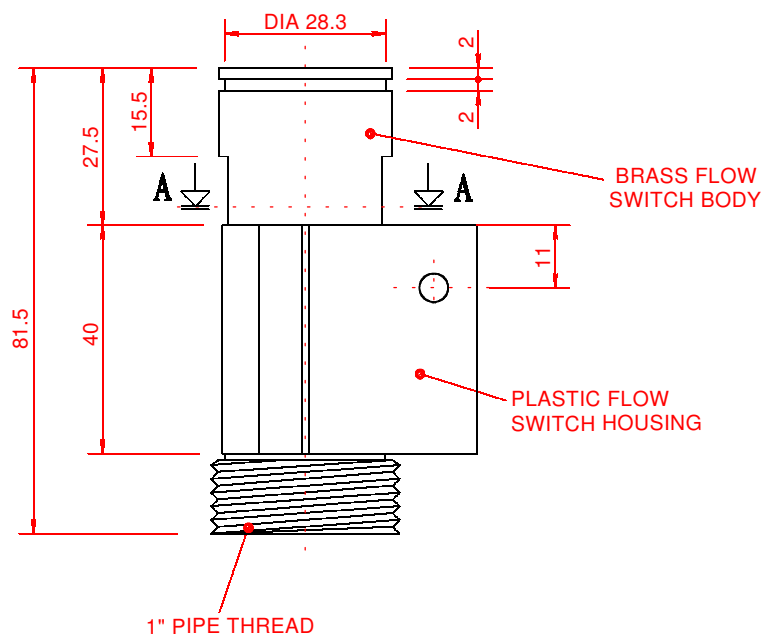
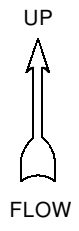


OLD STOCK No.
 OLD DRAWING No.

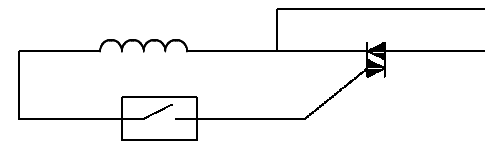
PARTS LIST			
ITEM No	ARTICLE No	DESCRIPTION	QTY REQD



UNIT SPECIFICATION
 - VERTICAL MOUNTED
 - SWITCHING - A,C, : 3A, 250V



CIRCUIT



HONEYWELL PART No FRN 12313

REVISION CHANGE ORDER No DATE APPROVED				A — — —	B 3593 22.11.95 WWA 22.11.95	UNLESS OTHERWISE SPECIFIED DIMENSIONS ARE IN MILLIMETRES TOLERANCES ARE :- DECIMALS ANGLES	CAD GENERATED DRAWING DO NOT MANUALLY DUPLICATE	GENTECH INTERNATIONAL LIMITED GIRVAN, AYRSHIRE,U.K. PART NAME FS-016 FLOW SWITCH OUTLINE / DATA SHEET	
THIS DRAWING IS THE PROPERTY OF GENTECH International Limited AND SHOULD NOT BE COPIED OR USED FOR MANUFACTURE OR OTHERWISE DISCLOSED WITHOUT THE PRIOR WRITTEN CONSENT OF THE COMPANY				MATERIAL FINISH		DRAWN WJG 03.10.95 CHECKED WWA 02.11.95 APPROVED RMM 17.11.95	SIZE SCALE 1 : 1	ARTICLE No 84005-000	REV B
DO NOT SCALE DRAWING						SHEET 1	OF		